

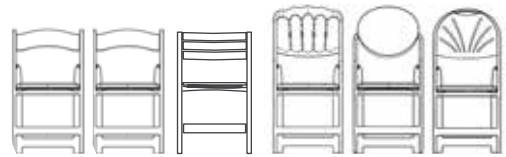
www.drakecorp.com



CHAIR & TABLE SOLUTIONS for special events, rentals, catering hotels, restaurants & schools

**We're not just making chairs
we set new standards for the industry
... and keep walking you into the future**





foldin-**O**LOGY it is all about technology and formulations

At Drake we use the most sophisticated technology and the best formulations for the applications



co-injection

Material: composite multi-layer techno-polymer.

On folding chairs like our **Ispra**, **Structure**, and our **High Back models**, we use "co-injection".

This technology allows the simultaneous use of a solid and cosmetic skin with a structured foamed rigid core, producing a solid shape.

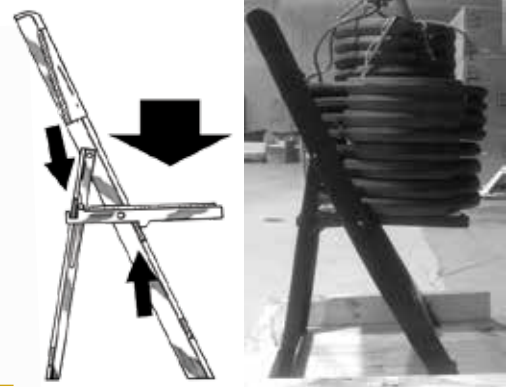
These chairs feel more rigid and have outstanding performances in durability, with long lasting life, and extreme ease of maintenance.

co-injection & gas

Material: composite multi-layer techno-polymer with gas assist.

On our **CHIP** folding chairs models, in their different material formulations, we use the same "co-injection" technology with gas assist, to obtain a cosmetic skin with foamed rigid tubular core and hollow shape.

These chairs have outstanding performances in durability, with long lasting life, extreme ease of maintenance and feel more flexible, being close to unbreakable even with harsh handling.



SMART DESIGN

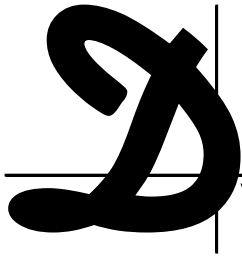
All our folding chairs take advantage of our patents and design. The **LOAD** rests on the bars supporting the seat, **NOT** on the screws as on similar chairs. All of our folding chairs must comply with a 500lb. of static vertical weight standard. Static vertical weight testing FEDERAL SPECIFICATION AA-C-291F





**Structure
co-injection**

**Chip
co-injection & gas**



www.drakecorp.com

Chip

by drake

the **workhorse**
and also...
the most **traditional**
trusted and **beloved**
American folding stacking
and **interlocking** chair



Made
in
USA





○ W***

CHIP-E economy

It is the **entry level** version of our classic wedding chair providing a superior product durability unmatched by competitors. It literally dwarfs the best competition. Strong, folding and stacking, easy to handle and maintain. Sold in qty. of +100.

Material: composite multi-layer techno-polymer with gas assist, stainless steel hardware. 1/4" snap in seat is a resin board, CAL 117 Foam and PVC cover.

Available in "**economy white**".



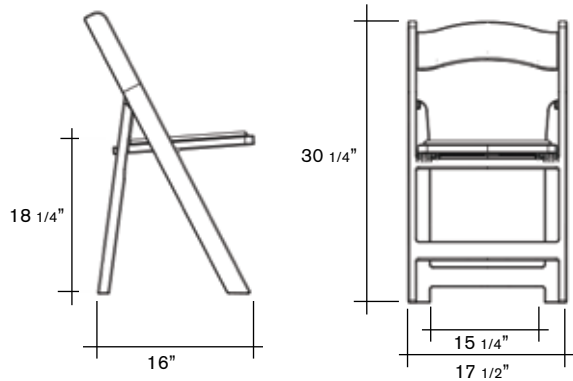
○ W
● B
● RW
● G

CHIP top of the line

Classic Drake wedding chair **pumped up**. Strong, folding and stacking, easy to handle and maintain. **Optically enhanced SUPER WHITE** frame, with **EXTREME UV protection** for extended durability. A flexible frame makes this chair comfortable and highly impact resistant. Best investment for a prolonged life.

Material: composite multi-layer techno-polymer with gas assist, stainless steel hardware. 1/4" snap in seat is a resin board, CAL 117 Foam and PVC cover.

Available in "**super white**", **black**, **redwood**, **hunter green**.

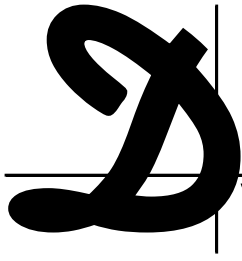


WEIGHT: 10 lbs

DIMENSIONS:

- Seat: 15 x 16 x 17 h [in.]
- Folded: 17 3/8 x 35 x 2 1/3 [in.]
- Stack of 25: 17 3/8 x 35 x 58 1/2 h [in.]
- Stack of 30: 17 3/8 x 35 x 70 h [in.]
- Stack of 50: 17 3/8 x 35 x 117 h [in.]





www.drakecorp.com

Chip-R

by drake

**“R” as in...
RESPECT for the
ENVIRONMENT**

a special **ecologically**
friendly version of our
white wedding chairs...
made from old Drake chairs
brought back to life as new
folding stacking
and **interlocking** chairs



**Made
in
USA**



CHAIR TO CHAIR



● R-Tp
● R-Gr



CHIP-R recycled

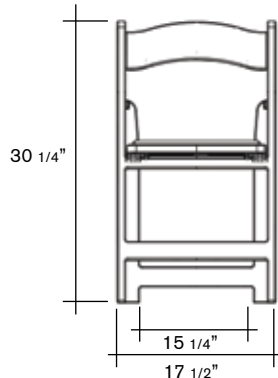
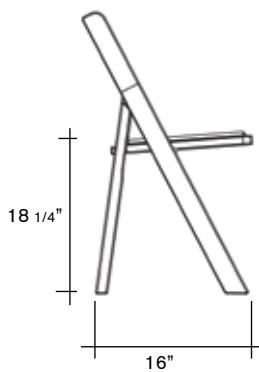
This version is **army tough**. Due to the fact that we cannot contrast colors from previous applications, the colors in recycled chairs are rich with shades resembling the natural variety that can be found in wood materials.

Material: CHIP-R chairs are manufactured with post industrial recycled RESIN plus GAS system. Resin is treated and FIBERGLASS ADDED for maximum resistance. This model is intended for environmentally conscious customers only.

Available in **gray** and **taupe**.



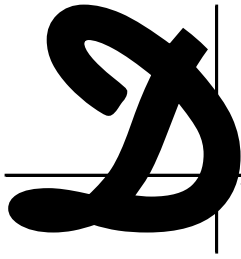
RECOMMENDED for Government Agencies, PARKS, barns, farms and all other settings that are rustic in nature, due to their rugged "aged wood look"



WEIGHT: 10 lbs

DIMENSIONS:

- Seat: 15 x 16 x 17 h [in.]
- Folded: 17 3/8 x 35 x 2 1/3 [in.]
- Stack of 25: 17 3/8 x 35 x 58 1/2 h [in.]
- Stack of 30: 17 3/8 x 35 x 70 h [in.]
- Stack of 50: 17 3/8 x 35 x 117 h [in.]



www.drakecorp.com

Structure

by drake

folding stacking
and **interlocking** chair



snap in-snap out padded seat

- snap on, NO TOOLS required



**Made
in
USA**

- extra strong
- extra light weight
- extra UV resistant
- interlocking
- easy handling
- easy maintenance

link spacer (optional)

When linking chairs together is mandatory for public seating, our solution is excellent:

- snap on, NO TOOLS required
- leaves 3" between linked chairs
- placeholder can be used to customize seating



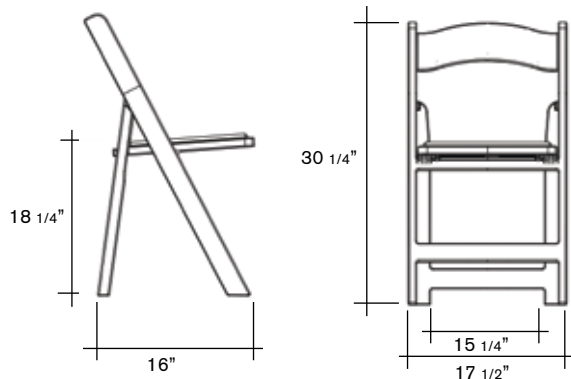


Structure

Classic Drake wedding chair, strong, folding and stacking, easy to handle and maintain. Optically enhanced SUPER WHITE frame, with EXTREME UV protection for extended durability. Back is arched more than in Chip models, and the frame construction feels more rigid.

MATERIAL: composite multi-layer techno-polymer, stainless steel hardware. 1/4" snap in seat is a resin board, CAL 117 Foam and PVC cover.

Available in "**super white**", **black**. Standard vinyl seat is white or black.



WEIGHT: 10 lbs

DIMENSIONS:

Seat: 15 x 16 x 17 h [in.]
 Folded: 17 3/8 x 35 x 2 1/3 [in.]
 Stack of 25: 17 3/8 x 35 x 58 1/2 h [in.]
 Stack of 30: 17 3/8 x 35 x 70 h [in.]
 Stack of 50: 17 3/8 x 35 x 117 h [in.]

*** Structure TB133

***special formulation upon request

For STRUCTURE TB133 the materials of the chair itself have been upgraded to:

- Outer Material: PP Fire rated
- PAD/plastic seat board: PP Fire rated
- PAD/Seat Foam: PU Fire Resist. Class 1/M
- PAD/Vinyl Cover: 100% PVFP-PVC Fire Resist. Class M2

Exposed to an open flame, the heat release rate is much less than 80 kW, with a total heat release of much less than 25 MJ in the first 10 minutes of the test.

Available in "**white**" with white vinyl seat.



Ispra

by Centro Erre

folding stacking
and **interlocking** chair



- **Italian Design**
- **Comfortable**
- **Strong and Durable**
- **Easy to clean, never needs painting**
- **Easily stackable vertically as well as horizontally**

**Made
in
Italy**



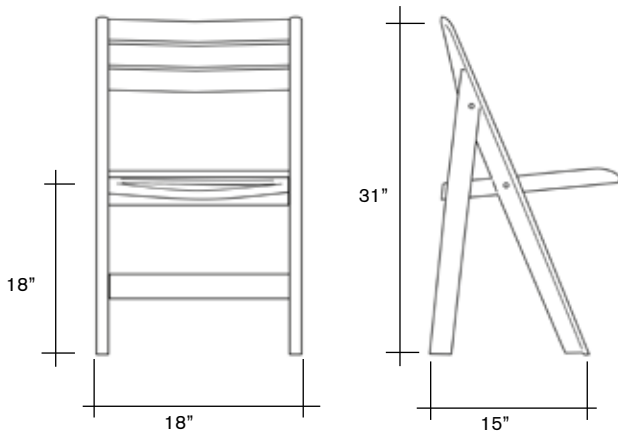
Ispra

Ispra is the perfect OUTDOOR folding chair. It folds perfectly flat to 2 3/4". Guaranteed resistant to all weather conditions and UV rays, it is easily cleaned using water and a neutral liquid detergent. Sold in stacks of 25. Linking armrest available as an accessory for Ispra chairs.

MATERIAL: composite multi-layer techno-polymer, stainless steel hardware.

Ispra meets and exceeds the standards set forth in ISO 7173, ANSI/BIFMA X5.1-1993 and ANSI/BIFMA X5.4-1997

Available in **white, green.**



WEIGHT: 11 lbs

DIMENSIONS:

Seat: 15 1/2 x 15 1/2 x 18 h [in.]
Folded: 35 x 18 x 2 3/4 [in.]
Stack of 25: 18 x 35 x 71 h [in.]



Each chair has 4 locking buttons for easy stacking.



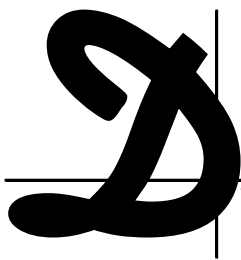
Easy storage and handling

We ship 25 Ispra chairs on a resin base which can be easily handled with a handtruck or a palletjack. Four legs can be attached to the base for convenient palletizing. Four casters may be used to convert the resin base into an easy move around Ispra dolly.



Ispra linking armrest (optional)

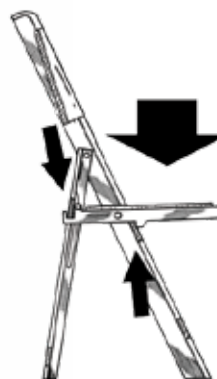
One or more chairs can be aligned and linked with our linking armrest. Snap in - snap out no tools required.



www.drakecorp.com

High Back Chairs Chateau by drake

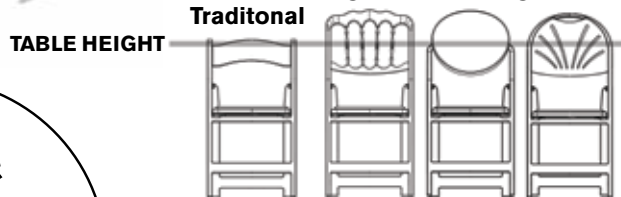
**folding stacking
and interlocking chair**



SMART DESIGN

All our folding chairs take advantage of our patents and design. The LOAD rests on the bars supporting the seat, NOT on the screws as on similar chairs. All of our folding chairs must comply with a 500lb. of static vertical weight standard. Static vertical weight testing FEDERAL SPECIFICATION AA-C-291F

High Back Folding Chairs



**Made
in
USA**

- extra strong
- extra light weight
- extra UV resistant
- interlocking
- easy handling
- easy maintenance

WHY "HIGH BACK CHAIRS"?

These chairs will better dominate the table set up due to the 41.5" long design, standing out and looking fabulous.

Whether used with additional decorations or simply bare, they add sophistication to the table with the ease of handling of a folding chair.

Furthermore these chairs provide an amazing back support during sitting giving extreme comfort, unparalleled by regular folding chairs.

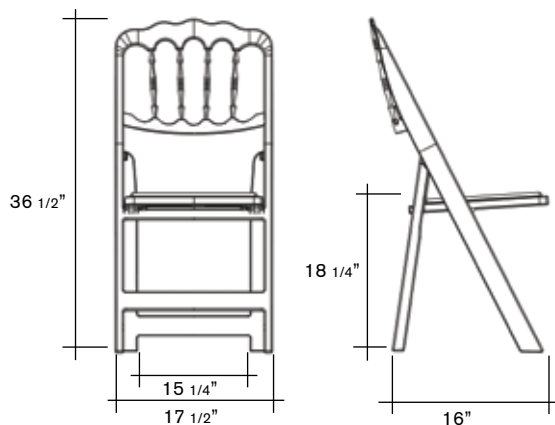


Chateau

Chateau chairs by Drake, will better dominate the table set up due to the 41" tall back design. With their high decorative shape towering the tables and their classical rich lines, will stand out and look fabulous whatever the setting. Used with additional decorations or simply bare, the Chateau will bring high class event sophistication with the ease of handling of a folding chair. Chateau chairs are folding, stacking (horizontally and vertically), and come equipped with an interlocking feature that makes moving and storing them quite simple. They are strong, durable, weatherproof, UV protected, don't need painting and require very little maintenance.

MATERIAL: composite multi-layer techno-polymer, stainless steel hardware. 1/4" snap in seat is a resin board, CAL 117 Foam and PVC cover.

Available in "**super white**", **black**, **redwood**, **silver**, and **gold**. Standard vinyl seat is white or black.



WEIGHT: 10 lbs

DIMENSIONS:

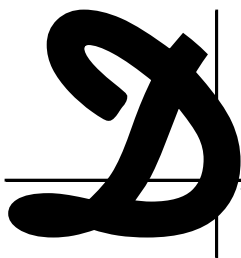
Seat:	15 x 16 x 17 h [in.]
Folded:	17 3/8 x 41 1/4 x 2 1/3 [in.]
Stack of 25:	17 3/8 x 41 1/4 x 58 1/2 h [in.]
Stack of 30:	17 3/8 x 41 1/4 x 70 h [in.]
Stack of 50:	17 3/8 x 41 1/4 x 117 h [in.]



link spacer (optional)

When linking chairs together is mandatory for public seating, our solution is excellent:

- snap on, NO TOOLS required
- leaves 3" between linked chairs
- placeholder can be used to customize seating

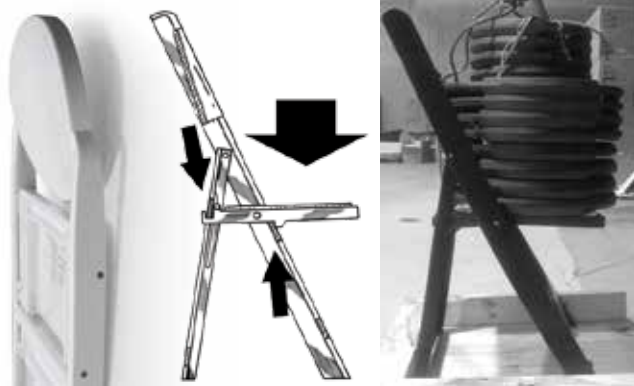


www.drakecorp.com

High Back Chairs

Louis by drake

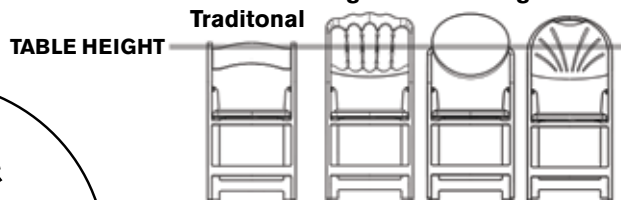
folding stacking
and **interlocking** chair



SMART DESIGN

All our folding chairs take advantage of our patents and design. The LOAD rests on the bars supporting the seat, NOT on the screws as on similar chairs. All of our folding chairs must comply with a 500lb. of static vertical weight standard. Static vertical weight testing FEDERAL SPECIFICATION AA-C-291F

High Back Folding Chairs



WHY "HIGH BACK CHAIRS"?

These chairs will better dominate the table set up due to the 41.5" long design, standing out and looking fabulous.

Whether used with additional decorations or simply bare, they add sophistication to the table with the ease of handling of a folding chair.

Furthermore these chairs provide an amazing back support during sitting giving extreme comfort, unparalleled by regular folding chairs.

**Made
in
USA**

- extra strong
- extra light weight
- extra UV resistant
- interlocking
- easy handling
- easy maintenance



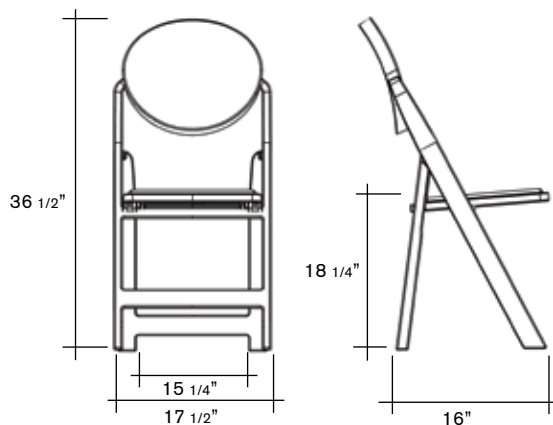
Louis

While Chateau chairs are drawn with classical lines, Louis folding and stacking chairs by Drake, shines with simple contemporary design. With their high decorative back towering the tables and their modern rich lines, will stand out and look fabulous whatever the setting.

Louis chairs are folding, stacking (horizontally and vertically), and come equipped with an interlocking feature that makes moving and storing them quite simple. They are strong, durable, weatherproof, UV protected, don't need painting and require very little maintenance.

MATERIAL: composite multi-layer techno-polymer, stainless steel hardware. 1/4" snap in seat is a resin board, CAL 117 Foam and PVC cover.

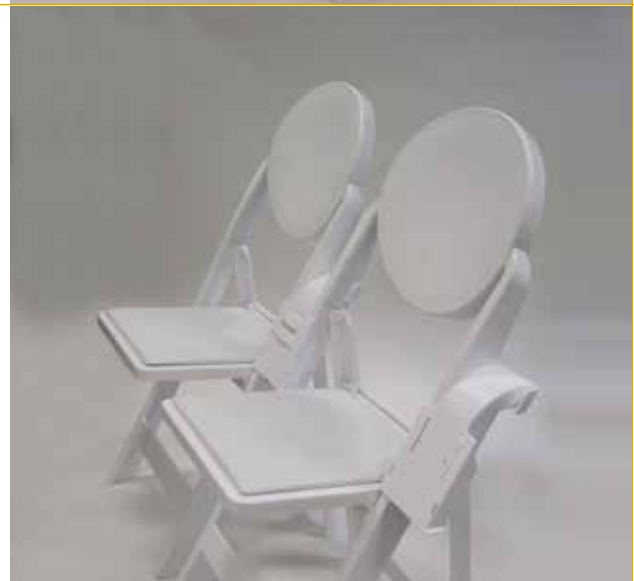
Available in "**super white**", **black**. Standard vinyl seat is white or black.



WEIGHT: 10 lbs

DIMENSIONS:

Seat:	15 x 16 x 17 h [in.]
Folded:	17 3/8 x 41 1/4 x 2 1/3 [in.]
Stack of 25:	17 3/8 x 41 1/4 x 58 1/2 h [in.]
Stack of 30:	17 3/8 x 41 1/4 x 70 h [in.]
Stack of 50:	17 3/8 x 41 1/4 x 117 h [in.]



link spacer (optional)

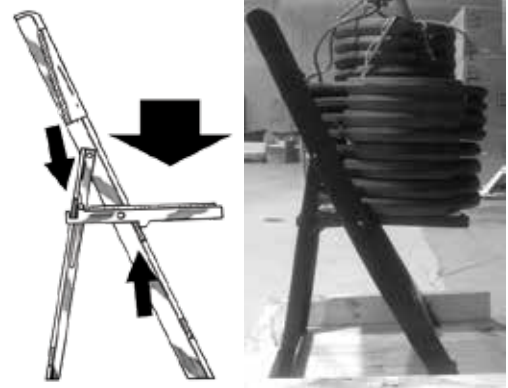
When linking chairs together is mandatory for public seating, our solution is excellent:

- snap on, NO TOOLS required
- leaves 3" between linked chairs
- placeholder can be used to customize seating

High Back Chairs

Fan by drake

folding stacking
and **interlocking** chair

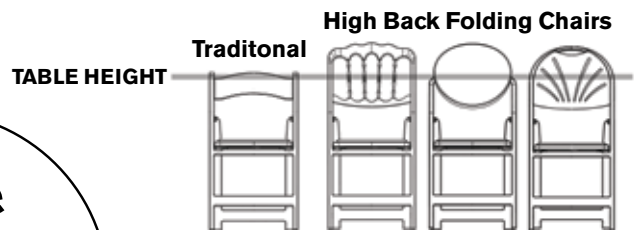


SMART DESIGN

All our folding chairs take advantage of our patents and design. The LOAD rests on the bars supporting the seat, NOT on the screws as on similar chairs. All of our folding chairs must comply with a 500lb. of static vertical weight standard. Static vertical weight testing FEDERAL SPECIFICATION AA-C-291F

**Made
in
USA**

- extra strong
- extra light weight
- extra UV resistant
- interlocking
- easy handling
- easy maintenance



WHY "HIGH BACK CHAIRS"?

These chairs will better dominate the table set up due to the 41.5" long design, standing out and looking fabulous.

Whether used with additional decorations or simply bare, they add sophistication to the table with the ease of handling of a folding chair.

Furthermore these chairs provide an amazing back support during sitting giving extreme comfort, unparalleled by regular folding chairs.



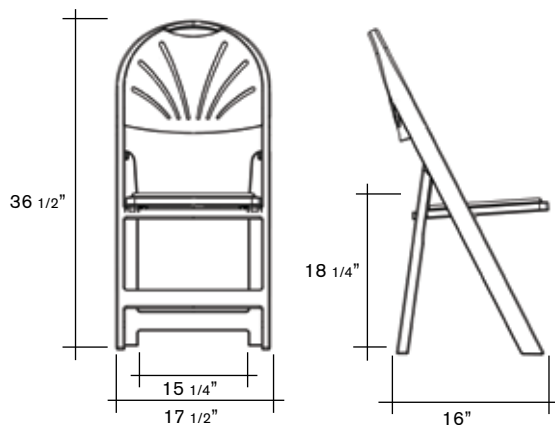
Fan

Fan are well known folding and stacking chairs by Drake. The back is very flexible to meet higher comfort standards and to make the entire chair more impact resistant at the same time. The backs have furthermore been designed to have a smooth surface that's not textured, which makes it much easier to clean.

Fan chairs are folding, stacking (horizontally and vertically), and come equipped with an interlocking feature that makes moving and storing them quite simple. They are strong, durable, weatherproof, UV protected, don't need painting and require very little maintenance.

MATERIAL: composite multi-layer techno-polymer, stainless steel hardware. 1/4" snap in seat is a resin board, CAL 117 Foam and PVC cover.

Available in "**super white**", **black**. Standard vinyl seat is white or black.



WEIGHT: 10 lbs

DIMENSIONS:

Seat:	15 x 16 x 17 h [in.]
Folded:	17 3/8 x 41 1/4 x 2 1/3 [in.]
Stack of 25:	17 3/8 x 41 1/4 x 58 1/2 h [in.]
Stack of 30:	17 3/8 x 41 1/4 x 70 h [in.]
Stack of 50:	17 3/8 x 41 1/4 x 117 h [in.]



link spacer (optional)

When linking chairs together is mandatory for public seating, our solution is excellent:

- snap on, NO TOOLS required
- leaves 3" between linked chairs
- placeholder can be used to customize seating

**Folding Chairs
Accessories**

**Pads &
Seats**

by drake



chip



structure



fan



chateau



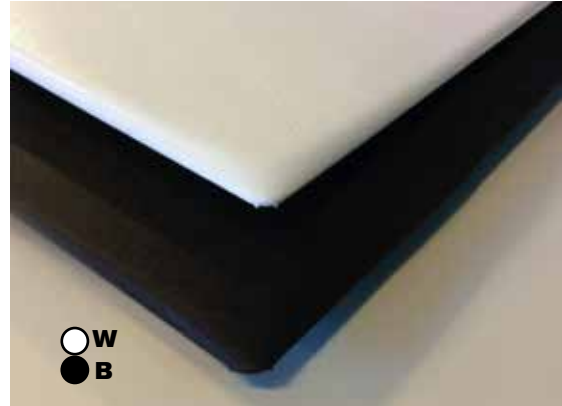
louis

Extra Chair Pads

1/4" pads are made of a resin board, CAL 117 1/4" thick foam and PVC cover. Available in white or black.

- snap in and snap out in a flash
- do not warp with humidity

Available standard color in **white, black**
Custom vinyl available, or we can use your own fabric.



Seat Boards

Good look, very low maintenance, a comfortable alternative to PVC upholstered seats, and bold colors to choose from.

- no modification to the chair necessary
- pop out the old seat and snap in one of these colored seats
- available in **white, black, green, red..**
- change the seat to match the event theme
- special contoured shape for superior comfort
- can be left out **in any weather condition** without becoming soggy like the vinyl covered foam pads.

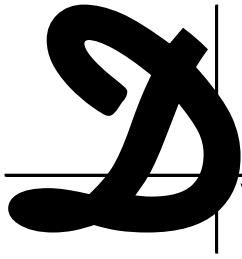


Canna Di Fibra Naturale

- no modification to the chair necessary
- pop out the old seat and SNAP IN one of the new fiber pads

material:
natural cane fiber on a resin board support
with 1/4" foam (TB117 compliant)





www.drakecorp.com

**Folding Chairs
Accessories**

Link & Spacer

by drake



structure



fan



chateau



louis



- position
- rotate
- push down to lock



Link Spacer (for High Back chairs & Structure only)

Sometimes linking chairs together is mandatory.

Whenever you link chairs without spacing, you oblige guests to squeeze in a 17"/18" chair. They need space!!! With our link & spacer device, you can give 3" more comfort to your customers and guests so that the feeling is to sit on a wider space.

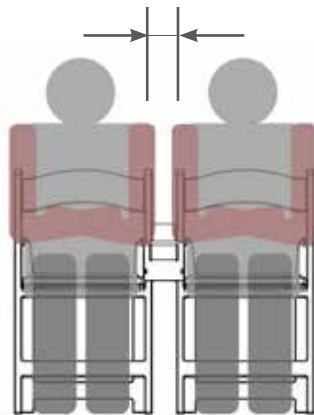
When linking chairs together is mandatory for public seating, our solution is excellent:

- snap on, NO TOOLS required
- leaves 3" between linked chairs
- placeholder can be used to customize seating

Available in **white** or **black**.

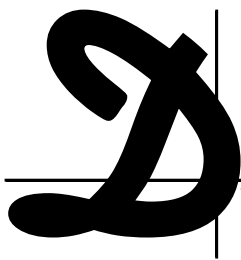


NO GANGING



LINK & 3" ADDITIONAL SPACE





www.drakecorp.com

Chiavari

by drake

stacking and
interlocking chair



co-injection

we use a sophisticated "co- injection" technology, a simultaneous use of a solid and cosmetic skin with a structured foamed rigid core, producing a solid shape. These chairs have outstanding performances in durability, with long lasting life, and extreme ease of maintenance.

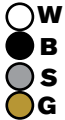
Material: composite multi-layer techno-polymer fiberglass reinforced, zinc hardware.

**Made
in
Italy**

- extra strong
- extra light weight
- extra UV resistant
- interlocking
- easy handling
- easy maintenance



not wood... better than wood!!!



Chiavari (aka Chiavarina) stacking chair

Drake Chiavari stacking chairs have been re-engineered from the ground-up. The **NEW MIX** of techno-polymers they are made of, makes them exceptionally **strong**, sturdy, **lightweight**, **easy to clean**, maintain and transport. Every detail is perfectly defined with strong round bars even more appealing than the wood ones.

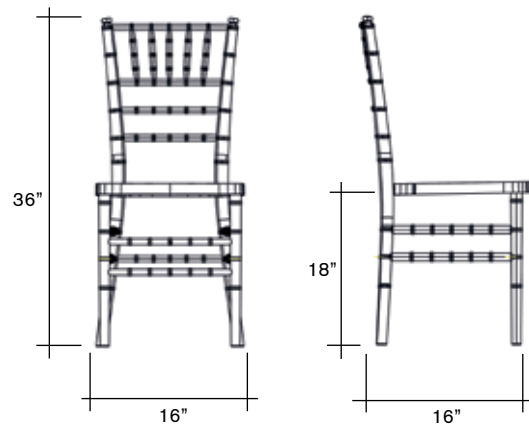
Chiavari by Drake are **stacking and locking with a "click"** to ease transportation.

flexibility by Design, the forgiving nature of the back of the chair gives it a comfort level unparalleled by wood at the same time the flexing back of the chair prevents the front legs from going up, henceforth people won't "rock" the chairs as is so often a cause of injury and breakage with other chairs.



stacking and locking with a "click"

indoor/outdoor, our Chiavari are weatherproof, UV protected, don't need painting. They can be accessorized with different cushions and vinyl pads and can be safely used **OUTDOORS** with a set of **LAWN SHOES** that prevents them from sinking into the grass or sand.



WEIGHT: 10 lbs

DIMENSIONS:

- Seat: 16 x 16 x 18 h [in.]
- Stack of 7: 17 x 26 x 88 h [in.]
- Stack of 8: 17 x 27 x 96 h [in.]
- Stack of 10: 17 x 28 x 113 h [in.]

Available in **white**, **black**, **silver** and **gold**.





**Chiavari Chairs
Accessories**

Shoes
by drake



**the perfect look
comes from
perfect details**

bringing seating outdoors
for breathtaking & unforgettable events



Chiavari shoes: no more sinking

Break the rules and move seating to locations that have always been traditionally difficult for chairs. Our chair shoes increase support for the chair legs on difficult ground, greatly reducing the sinking of the legs. Whether on the beach, on a green at your favorite golf club, or simply on a backyard lawn, our support system lets you bring our classy Chiavari chairs and your unforgettable events to a whole new level **outdoors**. Our Chiavari shoes are easy to deploy. Snap them onto the chair legs, no tools required, snap them off when finished.



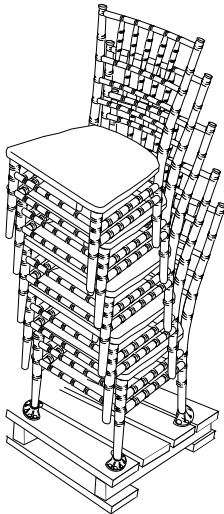
Our Chiavari shoes do not interfere with the chair's ability to stack. Chairs can be collected, stacked, stored, moved and re-deployed without removing the shoes.

Small holes in the supporting plate area, allow the lawn to breathe, greatly minimizing any damage to it even with extended use of the chair on the grass.



Chiavari shoes: secure chairs to a pallet

Our Chiavari shoes can be used to secure our Chiavari chairs to a wood pallet, for easier and secure transportation. When one set of Chiavari shoes is screwed into a wood pallet, it secures the first chair of the stack to the pallet, preventing the chairs from sliding, keeping them firmly in place on the pallet. Use of additional strapping (not included) is suggested before moving a stack of chairs.





**Chiavari Chairs
Accessories**

Cushions
by drake



**the perfect look
comes from
perfect details**

for breathtaking & unforgettable events



2" Quilted Entry Level Chiavari Cushion

2" quilted cushion in 100% non-removable preshrunk cotton, rich and perfectly shaped to match our Chiavari chairs. Attaches to the chair back legs with velcro straps.

Available colors: white, black, beige, brown, red, burgundy

Optional: quilted cushion in polyester resin (washable with special surface treatment)
Available colors: white, beige, brown, red, gray.

(quilted cushions available in Europe & UK only)



1.5" Standard Chiavari Cushion

Classical semi-square Chiavari seat with double piping 15 1/4" x 15 3/4" x 1 1/2". Washable polyester cover with a zipper filled with 1.5" urethane foam. Attaches to the chair back legs with velcro straps. Standard colors: white, ivory (natural) and black. Cushions usable on both sides.



2" Custom Fit TOP Chiavari Cushion

Shaped like the Chiavari seat for the perfect look, luxurious double piping. Washable polyester cover with a zipper. Filled with 1" urethane foam & fiber batting. Attaches to the chair back legs with velcro straps. Standard colors: white, ivory (natural) and black. Cushions usable on both sides.



Pad & Cushion Bag for Storage and Transportation

Makes transportation easy while protecting and organizing for storage. Sewed-in rigid bottom, wide top opening for easy access and counting, reinforced handles. Suggested capacity 15 to 30 pads or cushions depending upon size.

Standard color: gray

Dimensions: 38"x 17" x 17"





Chiavari Chairs Accessories

“engage”
by drake



1" RIGID PADS

avoiding using velcro to secure
your seat...

is now an option!

**the perfect look
comes from
perfect details**

for breathtaking & unforgettable events





engage rigid seat pads

Good look, very low maintenance, tailored resin rigid base, with soft vinyl leather-textured cover and a 1" urethane foam. Our new upholstered Chiavari pads give the option of avoiding using velcro bullets:

- no modification to the chair necessary
- the pad engages with the contour of the chair creating **a lock** between the seat and the rear legs requiring it to be lifted vertically and parallel to the floor to disengage.
- the chairs can be used with or without the pads without worrying of the velcro adhesive bullets on the seat.
- available in **white** or **black** vinyl as a standard. Covers can be customized with a rainbow of colors/materials, see below.



special vinyl cover

Our Chiavari rigid seat pads could be finished by cotton supported special vinyls. Our vinyls are fire rated, with a very high abrasion resistance (2000 cycles with a 20N load ref. UNI 4818-15). They are very easy to clean, with water and a mild soap.

material: PVC 87.5% + cotton 12.5%
 weight: 640 g/m2 +/- 50
 flammability standards:
 1 IM UNI9175 / USA MVSS 302

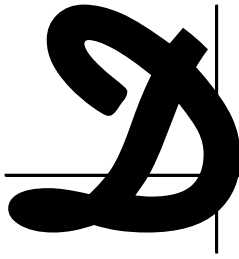


special fabric cover

Custom colors are available as fabric applied on our Chiavari rigid seat pads. Modacrylic is fire rated, with a very high abrasion resistance (55,000 martindale cycles), UV resistance (EN ISO 105-B02 @ 4/5), rubbing resistance (EN ISO 105-X12, wet @ 4/5, dry @ 4/5)

material: 100 Modacrylic
 weight: 295 g/m2 +/- 15
 flammability standards:
 1 IM UNI9175 / EN 1021-1:2006 & EN1021-2:2006.





www.drakecorp.com

Chairs Handling

chair pallets & dollies

by drake



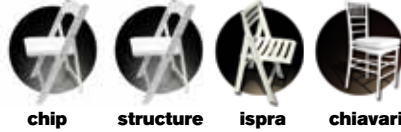
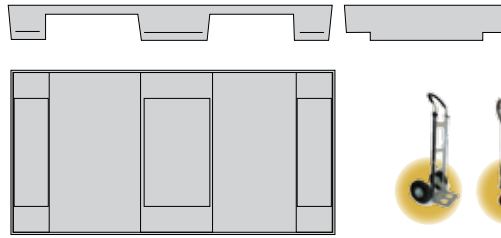
Pallet & Dollies

Chair pallets help to protect the chairs during storage and transportation and make chair stack handling easier.



DR Chair Pallet

material: thermoformed HDPE
 0.220" thick sheet
capacity: 330 lb. distributed load
internal: 17.75" x 35.5"
external: 18.25" x 36"
straps: external
 long side clearance: 28" (pallet jacks)
 short side clearance: chair trucks
casters: none
 to be used with CHAIR TRUCKS
 or PALLET JACKS

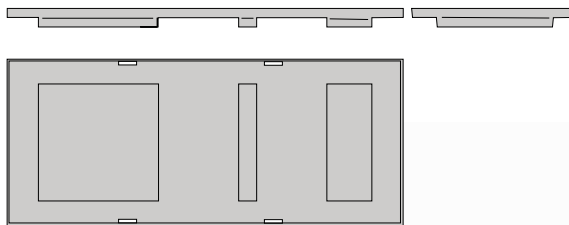


chip **structure** **ispra** **chiavari**



DE Elongated Chair Pallet

material: thermoformed HDPE
 0.220" thick sheet
capacity: 330 lb. distributed load
internal: 18" x 43.5"
external: 18.5" x 44"
straps: 2"
casters: none
 to be used with CHAIR TRUCKS



fan **chateau** **louis**



RG Chair Pallet & Dolly

Chair tray, basic configuration:
material: PP structural foam
capacity: 330 lb. distributed load
internal: 18" x 35"
external: 18.5" x 35.5"
straps: 1.25"
 to be used with HAND TRUCKS

Optional:

Chair pallet configuration

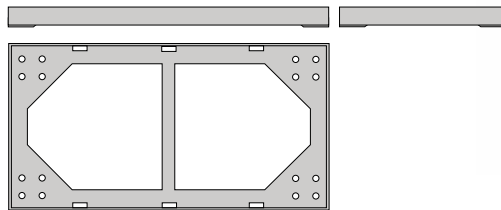
tray + 4 pallet feet
 long side clearance: 27.25"
 (pallet jacks)
 short side clearance: 10.25"
 to be used with PALLET JACKS

Chair cart configuration

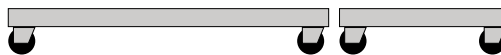
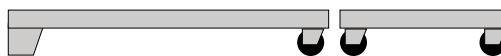
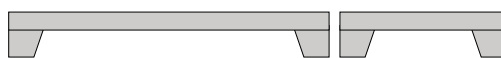
tray + 2 casters 2.5" swivel
 + 2 pallet feet + lift jack

Chair dolly configuration

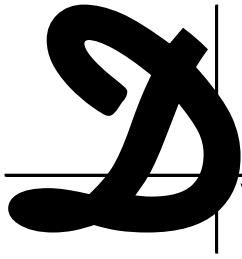
tray + 4 casters 2.5" swivel



*casters not included



chip **structure** **ispra**



www.drakecorp.com

Chairs Handling

**chair trucks
& carts**
by drake

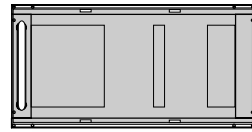
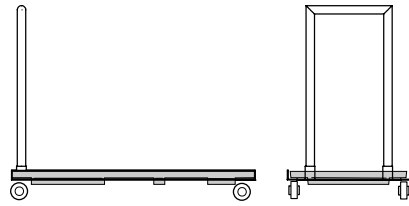


**Making life
easier**

Chair Cart

Perfect solution for Hotels and Banquet Halls where moving chairs through elevators and narrow corridors might be a challenge and the use of efficient but bulky Chair Trucks is difficult. That is why we came up with a solution, adapting our famous custom made HDPE thermoformed chair pallet to a sturdy welded steel frame with an easy to pull handlebar.

- Max Suggested load: 30 chairs
- 2 regular and 2 swivel 4" casters (Polyurethane on Polyolefin)
- Net Weight: 30 lbs.



Chair Truck

SELF BALANCING... NO EFFORT!!!

Strong sturdy, a major help in handling chairs. Every task involving moving chairs will be easier. Truck width: 28"

- 4 pneumatic wheels/10" closed cell foam tires, ball bearing hubs
- powder coated steel frame
- expanded metal backguard & 54" aluminum fenders to protect load from rubbing on tires
- 34" long forks, 7/8" diameter, 14 3/4" apart, designed for heavy duty hauling
- MAX LOAD: 750 lbs.



Chair Handtruck

Our single axle chair handtruck is a good and cheaper alternative to a chair truck.

- Specifications:
- 2 pneumatic wheels/10"
 - folding forks



Chairs Handling

**chair
covers**
by drake



**Making life
easier**



standard folding chairs



chip



structure

Economy Stack Cover for Folding Chair

Non-woven polyester material. Breathable fabric. 52" lateral slit with Velcro eases up positioning of the cover on the stack and a Velcro buckle for extra security. Bottom edge is hemmed for durability. Dim. 18" x 35 1/2" x 58" high



HQ Stack Cover for Folding Chair

Nylon, with inner PVC coat. Heavy duty water resistant chair stack cover, for transportation and storage. Tailored for a 25 folding chair stack. Lateral slit with Velcro eases up positioning of the cover on the stack. Dim. 17 1/2" x 35" x 58" high



Ispra folding chairs



ispra

HQ Stack Cover for Ispra Folding Chair

Nylon, with inner PVC coat. Heavy duty water resistant chair stack cover, for transportation and storage. Tailored for a 25 folding chair stack. Lateral slit with Velcro eases up positioning of the cover on the stack.

Dim. 18 1/2" x 37" x 65" high



high back folding chairs



fan



chateau



louis

Economy Stack Cover for High Back Folding

Non-woven polyester material. Breathable fabric. 52" lateral slit with Velcro eases up positioning of the cover on the stack and a Velcro buckle for extra security. Bottom edge is hemmed for durability. Dim. 18" x 42" x 58" high



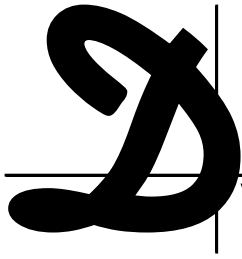
HQ Stack Cover for High Back Folding

Nylon, with inner PVC coat. Heavy duty water resistant chair stack cover, for transportation and storage. Tailored for a 25 **high back** folding chair stack. Lateral slit with Velcro eases up positioning of the cover on the stack. Dim. 18" x 42" x 58" high



heavy duty canvas bags for folding chairs

Heavy duty canvas bags, for transportation and storage of 4 folding chairs (please specify **standard** or **high back** chair)



www.drakecorp.com

Chairs Handling

Chiavari stackers

by drake



New...

Making life easier

Chiavari Stackers & Movers

Very compact solution expressly developed for our Chiavari chairs. This structure fits 4 stacks of 5 Chiavari ea. (20 chairs) in a very small footprint that can be developed vertically, saving huge amounts of money for storage. Furthermore there is no need to repack the chairs, they can be shipped as is, just unstack the **20 chair shipping unit** and load everything onto the truck.

dimensions: 1000 x 1200 x 1950h [mm]
40 x 47 x 77h [inches]

weight capacity: 250 kg | 550 lbs.



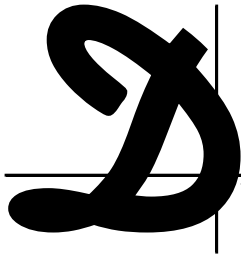
**up to 40 chiavari chairs:
storage only**

**up to 24 Chiavari chairs:
storage & shipping**

that allows to go from warehouse to truck, and back to warehouse in no time, with minimum labor cost.



**from warehouse
to truck...
and back to
warehouse**



www.drakecorp.com

D-130

by drake

12" Kids' Stacking Chair

HEAVY DUTY

recommended
for **schools**
kindergartens
party rentals



**Made
in
Italy**

- extra strong
- extra light weight
- extra UV resistant
- interlocking
- easy handling
- easy maintenance



D130 a rainbow of kids chairs!!!

D130 with its 12" seat height and its advanced posture design, is the most innovative piece of furniture for **kinder-gartens, pre-schools, nurseries, party rentals** and any environment where children's safety and comfort is a must. **D130** is a durable stacking chair, featuring a secure easy stacking interlocking leg system for storing up to 15 chairs one on top of another.

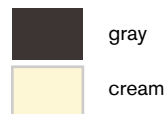
The construction, 100% resin made with stainless steel hardware, makes it an easy solution for both indoor & outdoor child's seating needs.



Seat Colors Available:



Frames Colors:



Custom colors available upon request, subject to minimum quantity.

Frame Features:

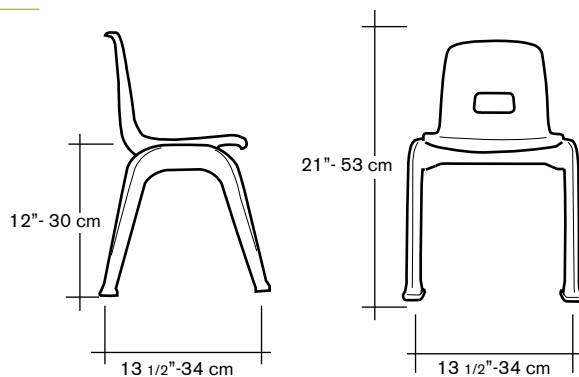
100% gray or cream reinforced techno-polymer durable & safe 1 piece construction
limited lifetime frame warranty
250 lb. Weight Limit

Seat Features:

molded polypropylene seat
open back for ventilation and strength
ergonomic front promotes good circulation in legs
attached with four stainless steel screws
several color options available
5 year seat warranty.

Glide Features:

standard gray, color matching the legs, OR color matching the seat is optional for an upcharge.
Secured with a screw to the leg, so they will not detach becoming a choking hazard.
2 year wearing parts warranty

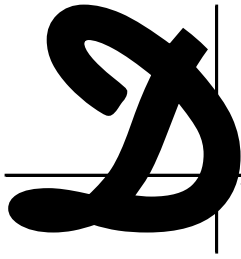


WEIGHT: 3.75 lb. | 1.7 kg

DIMENSIONS:

Seat Height: 12" | 30 cm
Optional Heights: 9" | 23.5 cm
10" | 26 cm





www.drakecorp.com

D-130 by drake

Kids' **Table**

kids' TABLES
and **Leg Systems**



Made in
**USA &
Italy**

- extra strong
- easy handling
- easy maintenance





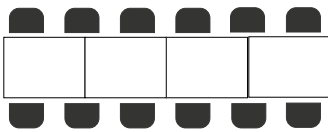
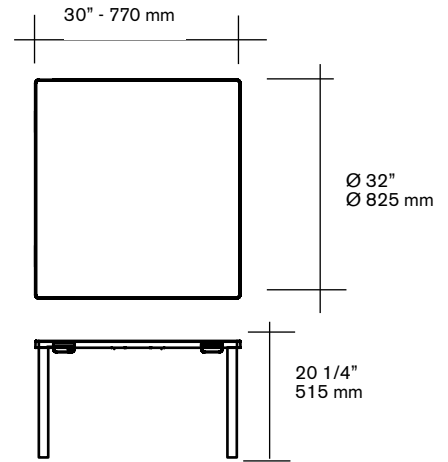
4-DSN Kid TABLEs

Four Plastic legs screw into the easy to maintain, **30"x32"** composite resin table top. **No tools required.**

Our composite polymer rectangular linking table top is available in white, tan, gray, redwood.

...very modular

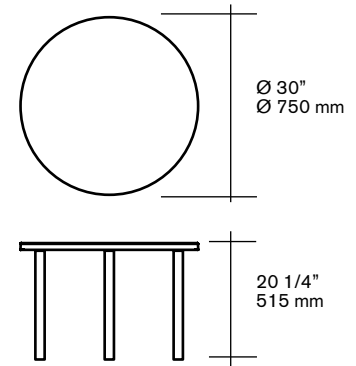
tongue and groove style, slides in and out of the table top & lets users **add** as many **tables** as needed to **morph the classroom** layout... while keeping the table tops level. Modules can be added in different directions to compose straight lines, corners, T-shapes etc.



ROUND 30"Ø Kid TABLEs

The Plastic legs screw into the easy to maintain, **30"** round composite resin table top. **No tools required.**

Our composite polymer rectangular linking table top will be available in white, tan, gray, redwood. *****Coming soon.**



D130 Series TABLE LEG SYSTEMS

D130 Series Leg Concept is an extremely versatile, easy maintenance, easy to assemble and disassemble system for kids table tops.

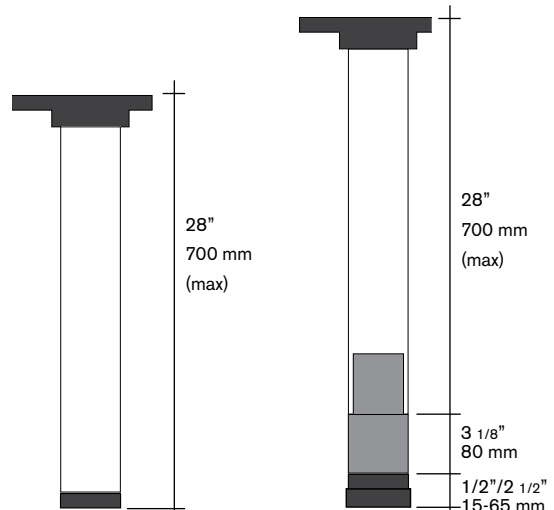


Standard Leg

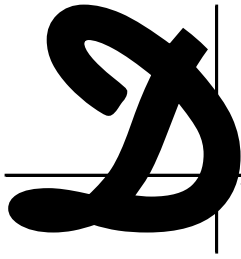
- resin plate
- Ø 2 1/3" resin tubular leg (Max Length 27 1/2")
- resin end cap
- Max. table height: 28"

Optional

- 3 1/8" leg extension
- 1/2" - 2 1/2" adjustable end cap



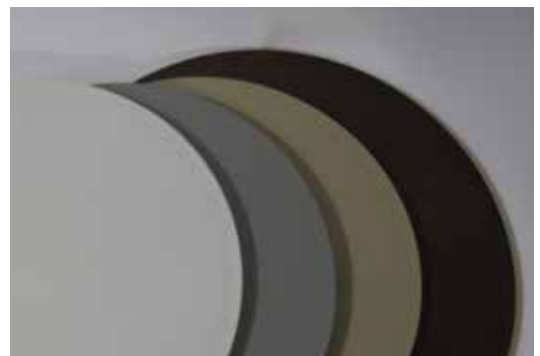
Made in Italy



www.drakecorp.com

TECHNOPOLYMER replacement table tops by drake

EASY MAINTENANCE
table tops for K-plate systems
with 1 3/4" columns
or ANY restaurant table leg...



Our composite polymer table tops are available in white, gray, beige, redwood.

Applications:
CATERING - RENTAL - CONFERENCE & CONVENTION CENTERS - RESTAURANT

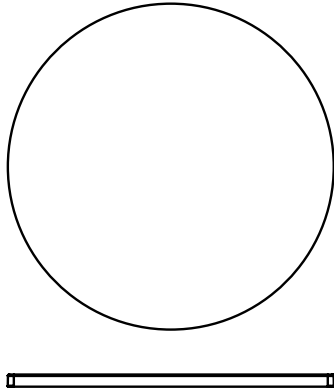
Developed to replace old wood table tops with K-plate systems for most demanding rental and catering applications... they can be used with **most existing monoleg systems** on the market to replace any wood table top, in restaurant, cafes, bars.

**Made
in
USA**

- extra strong
- extra light weight
- extra UV resistant
- highly scratch resistant
- easy handling
- easy maintenance

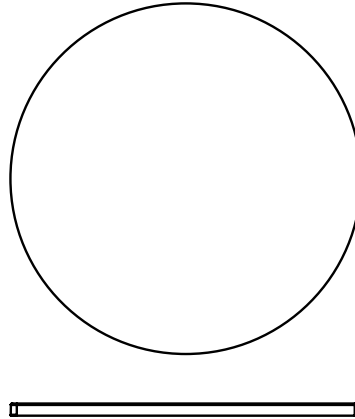


round 24" table top



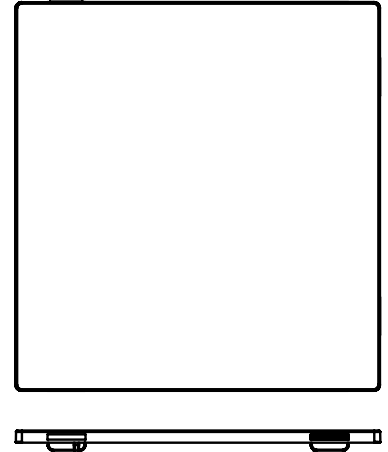
Ø24 in. nominal [600mm]
 actual Ø24 1/4 in. [616 mm]
 crown thick. 3/4 in. [20 mm]
 inner thick. 1/2 in. [13 mm]
 net weight: 7.5 lb. [3.40 kg]
 material:
 technopolymer reinforced with FG

round 28" table top



Ø28 in. nominal [700mm]
 actual Ø28 3/8 in. [720 mm]
 crown thick. 3/4 in. [20 mm]
 inner thick. 1/2 in. [13 mm]
 net weight: 12 lb. [5.45 kg]
 material:
 technopolymer reinforced with FG

MODULAR 30"x32" table top



30in.x32in. [750x800 mm]
 actual 30 3/8 x 32 1/2 in.
 crown thick. 1 in. [25 mm]
 @ sliders thick. 1 1/2 in. [38 mm]
 net weight: 15 lb. [6.80 kg]
 material:
 technopolymer reinforced with FG



- **connectivity** for restaurant or banquet halls... when monoleg tables are joined together to accommodate large parties, the alignment is very often impossible, table tops have steps and/or slightly different inclinations resulting in visually unpleasant and quite uncomfortable junctions. With *our slide in-slide out tongue and groove system*, tables can be added in any direction and they remain seamlessly joined. **Your customers will love it... You will love it**
- **all weather UV resistant** our table tops can be used *INDOOR & OUTDOOR*
- **super strong and highly resistant to scratches** the fiber glass filled technopolymer has a natural scratch resistance predisposition paired with strength, impact resistance and rigidity unparalleled by other materials. Metallic inserts can be inserted into the top to increase performances in the coupling table top-leg system of your choice.

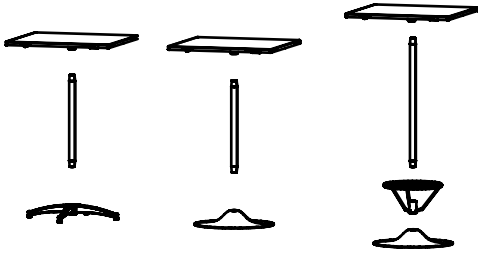


**Made
in
USA**

DSN tables by drake

Drake is proud to introduce
“Dolce Stil Novo”
the most revolutionary vision of an easy to handle, store and deploy portable banquet table system, aimed to replace folding tables of different lengths, adding bar tables & stools to the mix as well.

The world of banquet tables will never be the same...



“Dolce Stil Novo” modular *linking* banquet table systems *...life is sweet!*



Dolce Stil Novo (Italian for “*sweet new style*”) is the name given to the most important literary movement of the 13th century in Italy. It marked a true revolution in dignifying the use of Tuscan vernacular in exquisite literary works making them accessible to the masses.

Before the *Dolce Stil Novo*, all literature and higher education was in Latin. Latin, an exclusive privilege of the upper class, was no longer understood by ordinary people.

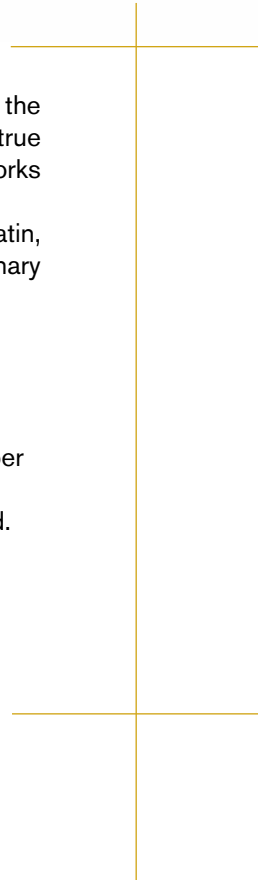
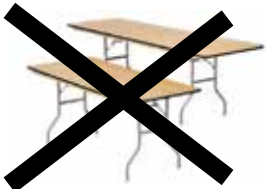
With the same revolutionary spirit, we introduce the:

“Dolce Stil Novo” *MODULAR LINKING table system*

which will make the storage, transportation and set up of banquet tables super easy, accessible and manageable for all. With such an advanced modularity, inventory morphs and adapts becoming what is needed, whenever is needed.

NO MORE inventories of bulky multiple sized & heavy to move tables.

With our system... **one size fits all...**





portable banquet tables

DSN tables by drake



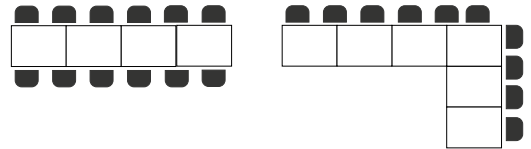
**Made
in
USA**

- extra strong
- extra light weight
- extra UV resistant
- highly scratch resistant
- easy handling
- easy maintenance



...very modular

tongue and groove style slides in and out of the table top & lets users add as many tables as needed to the banquet layout... while keeping the table tops level.



Our composite polymer table tops are available in white, gray, beige, redwood.

Applications:

CATERING - RENTAL - CONFERENCE & CONVENTION CENTERS

“Dolce Stil Novo” modular *linking* banquet table systems

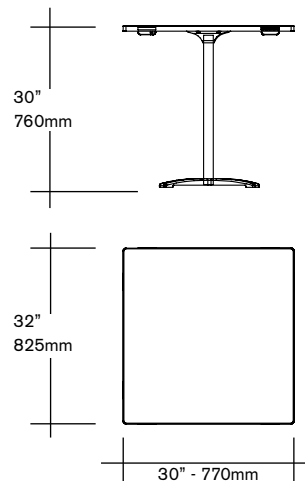
...life is sweet!



rental & catering style (spider aluminum base)

- a massive chrome steel column, 27 1/4" long, slides into the 28" brushed aluminum table base.
- a strong, easy to maintain, 30"x32" composite resin table top snaps into the column.

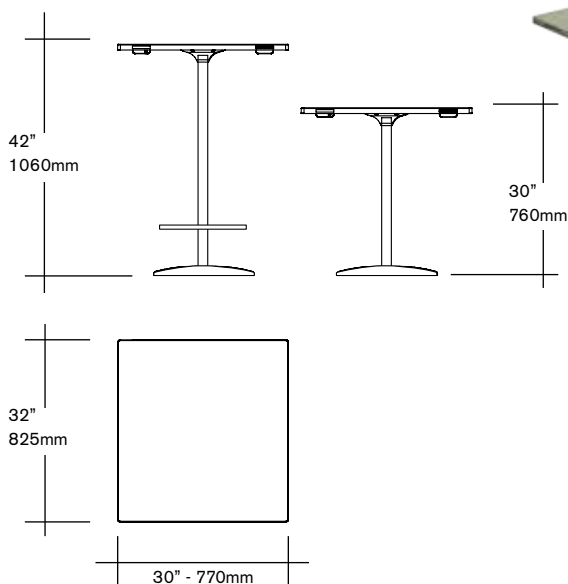
No tools required



trade shows, conventions & conference style (trumpet chrome base)

- a massive chrome steel column, 27 1/4" long (regular table) or 38 1/4" long (42" h bar table), slides into the 23" trumpet style chrome steel base.
- a strong, easy to maintain, 30"x32" composite resin table top snaps into the column.

No tools required



portable tables

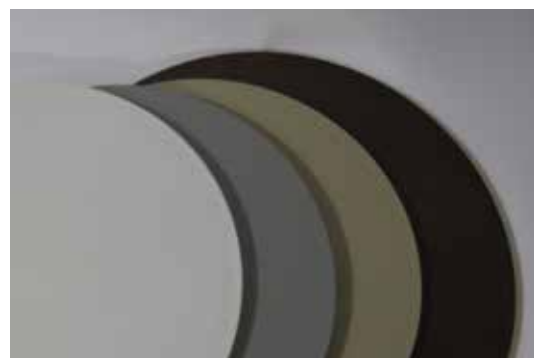
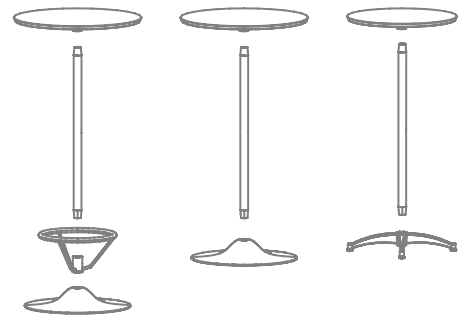
round tables

by drake



**Made
in
USA**

- extra strong
- extra light weight
- extra UV resistant
- highly scratch resistant
- easy handling
- easy maintenance



Our composite polymer table tops are available in white, gray, beige, redwood.

Applications:
CATERING - RENTAL - CONFERENCE & CONVENTION CENTERS

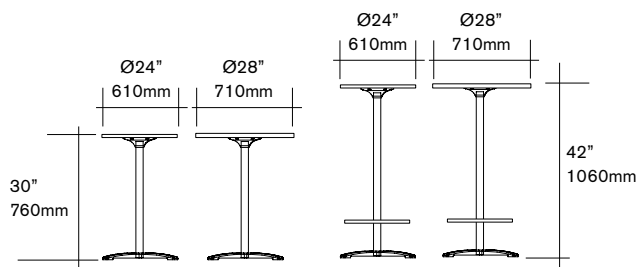
Heavy Duty Portable ROUND 24" & 28" tables & bar tables

rental & catering style (spider aluminum base)



- a massive chrome steel column, 27 1/4" long (regular table) or 38 1/4" long (42"h bar table), slides into the 24" OR 28" aluminum table base.
- a strong, easy to maintain, **24" Round or 28" Round** composite resin table top snaps into the column.

No tools required

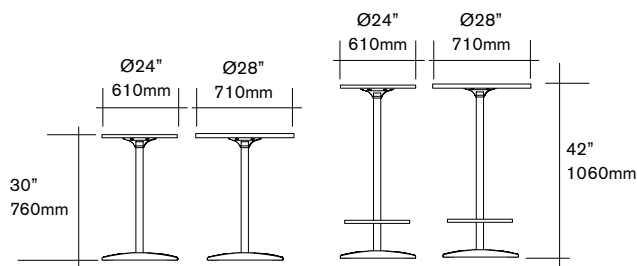


trade shows, conventions & conference style (trumpet chrome base)



- a massive chrome steel column, 27 1/4" long (regular table) or 38 1/4" long (42"h bar table), slides into the 20" OR 23" trumpet style chrome steel base.
- a strong, easy to maintain, **24" Round or 28" Round** composite resin table top snaps into the column.

No tools required



••• *footrest not included
but available as optional*



portable bar stool

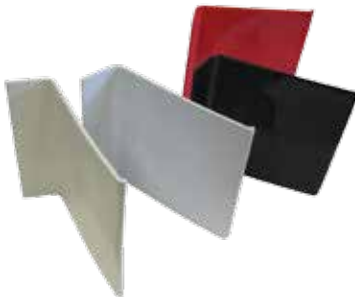
DSN Elle by drake



Elle is built with the same components used in our portable modular banquet table system, providing a perfect matching stool that's readily available.

The composite multi-layer techno-polymer seat is available in 4 colors:

- W [White]
- G [Light Gray]
- R [Red]
- B [Black]



**Made
in
USA**

- extra strong
- extra UV resistant
- easy handling
- easy maintenance

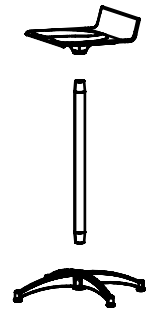
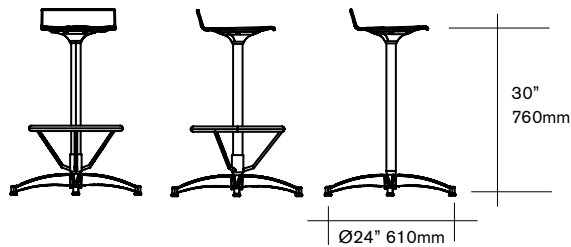
**Applications:
CATERING - RENTAL - CONFERENCE &
CONVENTION CENTERS**



Elle rental & catering style (spider aluminum base)

- a massive chrome steel column, 27 1/4" long slides into the 24" aluminum spider base (24" diagonal, 17" sideways)
- the composite Elle seat snaps into the column.

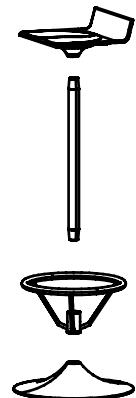
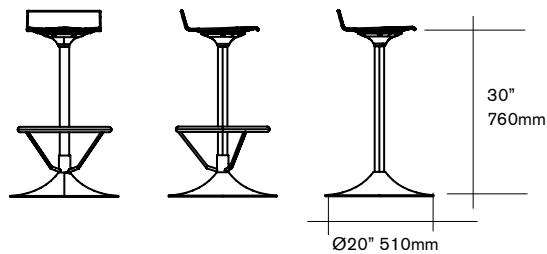
No tools required



trade shows, conventions & conference style (trumpet chrome base)

- a massive chrome steel column, 27 1/4" long slides into the Ø20" trumpet style chrome steel base.
- the composite Elle seat snaps into the column. resin table top snaps into the column.

No tools required



••• footrest not included
but available as optional



portable tables

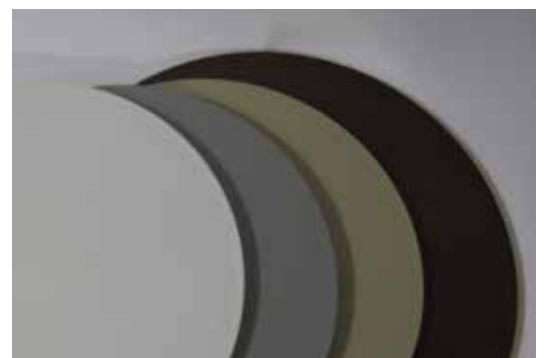
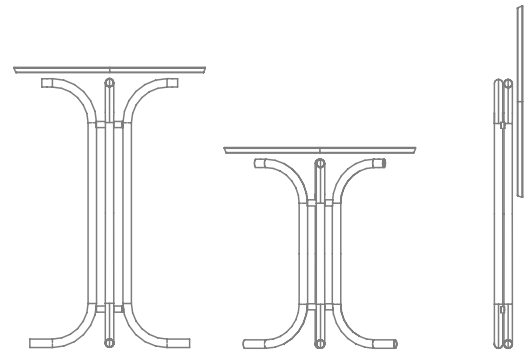
MaNGia In-PiEdi

by drake



**Made
in
USA**

- extra strong
- extra light weight
- extra UV resistant
- highly scratch resistant
- easy handling
- easy maintenance



Our composite polymer table tops are available in white, gray, beige, redwood.

Applications:
CATERING - RENTAL - CONFERENCE & CONVENTION CENTERS

“MaNGia-In-PiEdi” ROUND 24” & 28” folding tables & bar tables



Novita

made with you in mind

MaNGia-In-PiEdi

“MaNGia-In-PiEdi” tables & cocktail-bar tables are super easy to set up and store.

- They fold flat to 5". Available in both 30" & 42" Heights.
- Powdercoated $\text{Ø}1\frac{1}{8}$ " tubular steel legs (1/16" thick) are equipped with rubber feet providing protection against scuffing.
- Long lasting PP plates connect the legs, as well as the legs and the top.
- A strong, easy to maintain, $\text{Ø}24$ " or $\text{Ø}28$ " round composite resin table top completes the assembly.
- No Loose parts, all one unit.

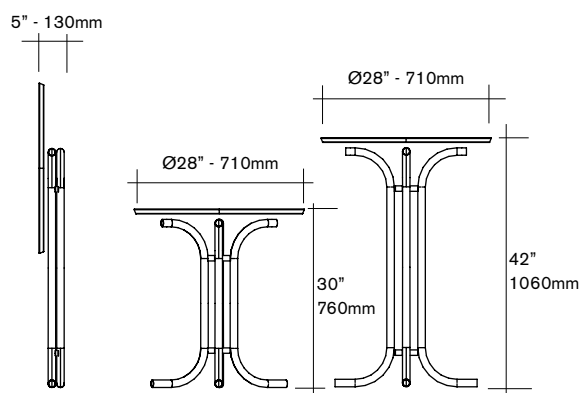
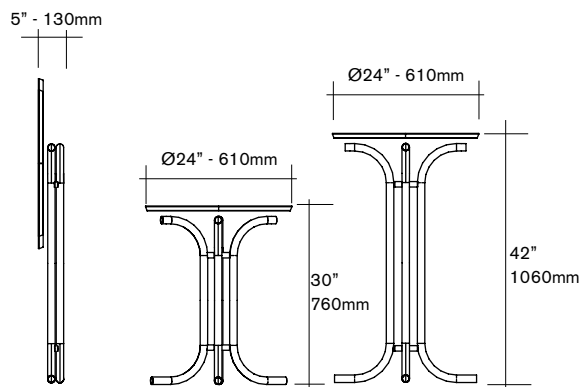


table storage

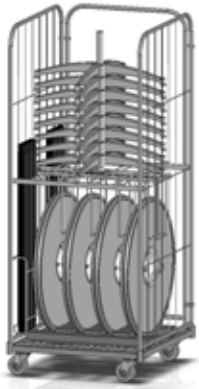
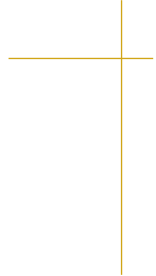
**table
carts**
by drake



**GOES
through
most
doors**

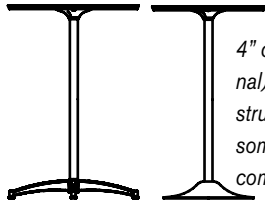


**Applications:
CATERING - RENTAL - CONFERENCE &
CONVENTION CENTERS**

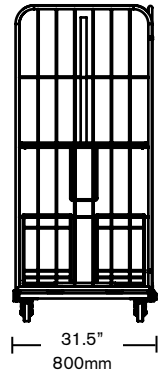
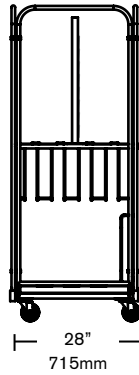


CART 8 Tables/Bar Tables

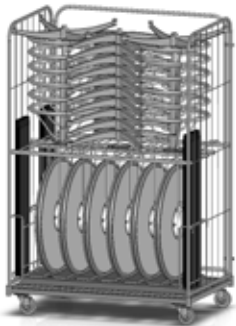
Super compact solution to store and transport up to 8 table tops (24"Ø, 28"Ø or 30"x32"), 8 columns (optional 16 to use tables both as standard tables or bar tables) and 8 table bases, both spider (rental) or conical (conference) style.



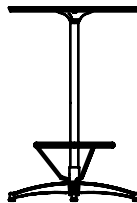
4" casters (5" optional), galvanized steel structure and hardware, some wood internal compartments.



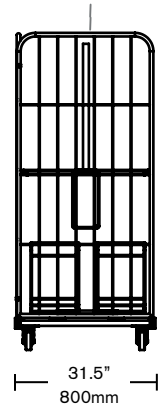
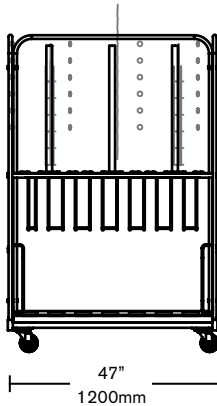
CART 12 Tables/Bar Tables with Footrest

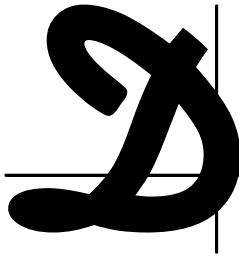


Store and transport up to 12 table tops (24"Ø, 28"Ø or 30"x32"), 24 columns, 12 spider bases rental style and 12 slide-in footrests.



4" casters (5" optional), galvanized steel structure and hardware, some wood internal compartments.





www.drakecorp.com

folding & nesting **tables**

by drake

**EASY MAINTENANCE
EASY HANDLING
EASY STORAGE**



**made in
Italy &
USA**

- extra strong
- extra UV resistant
- highly scratch resistant
- easy handling
- easy maintenance



Applications:

RESTAURANTS - BANQUET HALLS

Indoor/Outdoor Use - Temporary or permanent installations.

*** technopolymer table top is made in the USA

*** folding & nesting legs are made in Italy

our restaurant tables with folding and nesting legs can be stored in very small spaces and tacked away with minimum effort

easy cleaning & maintenance for permanent or temporary installations



**30"x32"
modular linking**

Material

The table top is made of a fiberglass reinforced technopolymer. The table leg is made of powder coated steel with adjustable feet. Available in white or anthracite. A "marine" version is available in stainless steel.

connectivity when regular monoleg tables are joined together to accommodate large parties, the alignment is very often impossible, table tops have steps and/or slightly different inclinations resulting in visually unpleasant and quite uncomfortable junctions. With our tongue and groove system, tables can be added in any direction and they remain seamlessly joined.

**Your customers will love it...
You will love it**



Ø28 in. nominal [700mm]

actual	Ø28 3/8 in.	[720 mm]
crown thick.	3/4 in.	[20 mm]
inner thick.	1/2 in.	[13 mm]
net weight:	12 lb.	[5.45 kg]

Material

The table top is made of a fiberglass reinforced technopolymer. The table leg is made of powder coated steel with adjustable feet. Available in white or anthracite. A "marine" version is available in stainless steel.

Ø24 in. nominal [600mm]

actual	Ø24 1/4 in.	[616 mm]
crown thick.	3/4 in.	[20 mm]
inner thick.	1/2 in.	[13 mm]
net weight:	7.5 lb.	[3.40 kg]

Material

The table top is made of a fiberglass reinforced technopolymer. The table leg is made of powder coated steel with adjustable feet. Available in white or anthracite. A "marine" version is available in stainless steel.



DRAKE CORP.

110 Tices Lane, Unit# A7
East Brunswick, NJ 08816, USA
tel +1 732 254 1530
fax +1 732 254 3509
email contactUS@drakecorp.com



In Europa:

CENTRO ERRE SRL

Via Idiomi, 1/6
20090 Assago (MI) • Italy
Tel. +39 02 437 946
Fax +39 02 4570 3076
e-mail: info@centroerre.com