

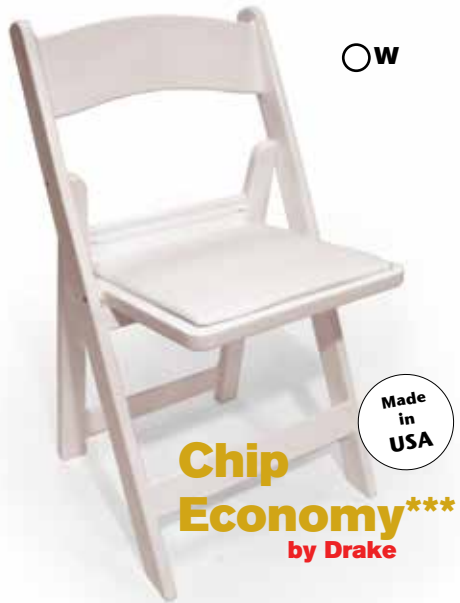
SPECIAL EVENTS • WEDDING CHAIRS

**We're not just making chairs!
We set new standards for the industry
... and keep walking you into the future**



D
www.drakecorp.com





CHIP ECONOMY version

CHIP Economy is the **entry level** version of our Classic wedding chair and provides a superior product durability unmatched by competitors. It literally dwarfs the best competition. Strong, folding and stacking, easy to handle and maintain. Sold in qty. of +100.

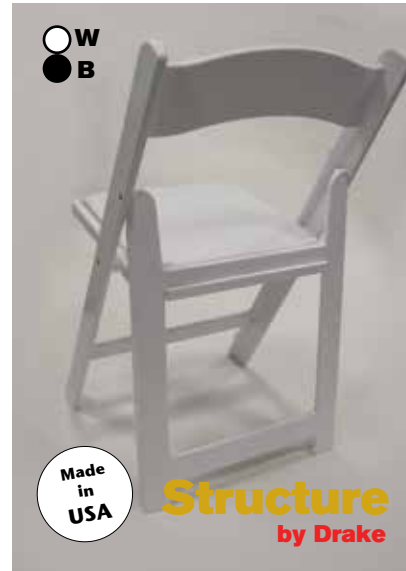
MATERIAL: composite multi-layer techno-polymer with gas assist, stainless steel hardware. 1/4" snap in seat is a resin board, CAL 117 Foam and PVC cover.



CHIP - Top Of The Line

Classic Drake wedding chair pumped up. Strong, folding and stacking, easy to handle and maintain. Optically enhanced SUPER WHITE frame, with EXTREME UV protection for extended durability. A flexible frame makes this chair comfortable and highly impact resistant. Best investment for a prolonged life.

MATERIAL: composite multi-layer techno-polymer with gas assist, stainless steel hardware. 1/4" snap in seat is a resin board, CAL 117 Foam and PVC cover.



STRUCTURE

Classic Drake wedding chair, strong, folding and stacking, easy to handle and maintain. Optically enhanced SUPER WHITE frame, with EXTREME UV protection for extended durability. Back is arched more than in Chip models, and the frame construction feels more rigid.

MATERIAL: composite multi-layer techno-polymer, stainless steel hardware. 1/4" snap in seat is a resin board, CAL 117 Foam and PVC cover.



ISPRA folding chair

Ispra is the perfect **OUTDOOR** folding chair. It folds perfectly flat to 2 3/4". Guaranteed resistant to all weather conditions and UV rays, it is easily cleaned using water and a neutral liquid detergent. Sold in stacks of 25. Linking armrest available as an accessory for Ispra chairs.

MATERIAL: composite multi-layer techno-polymer, stainless steel hardware.

WEIGHT: 11 lbs

DIMENSIONS:
 Seat: 15 x 16 x 17 h [in.]
 Folded: 35 x 18 x 2 3/4 [in.]
 Stack of 25: 18 x 35 x 71 h [in.]



Ispra meets and exceeds the standards set forth in ISO 7173, ANSI/BIFMA X5.1-1993 and ANSI/BIFMA X5.4-1997



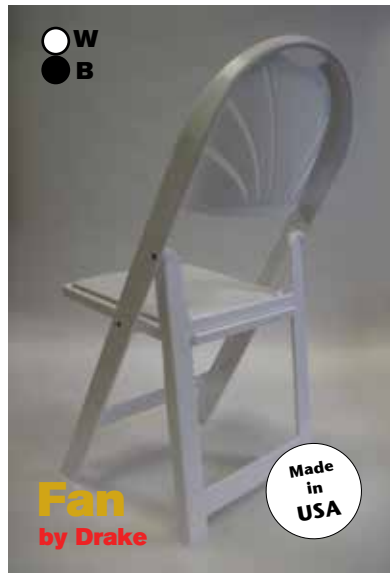
APPLIES TO ALL OUR CLASSIC WEDDING CHAIRS:

WEIGHT: 10 lbs

DIMENSIONS:
 Seat: 15 x 16 x 17 h [in.]
 Folded: 17 3/8 x 35 x 2 1/3 [in.]
 Stack of 25: 17 3/8 x 35 x 58 1/2 h [in.]
 Stack of 30: 17 3/8 x 35 x 70 h [in.]
 Stack of 50: 17 3/8 x 35 x 117 h [in.]

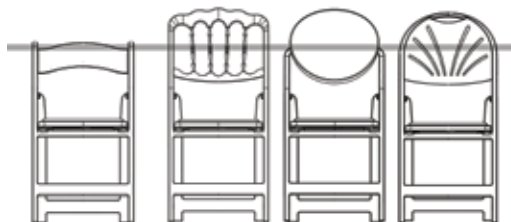
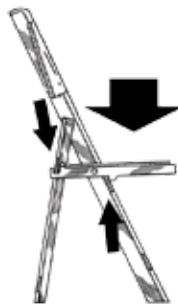
On all our classic wedding chairs the **LOAD** rests on the two bars supporting the seat, **NOT** on the screws as on similar chairs. Static vertical weight testing **FEDERAL SPECIFICATION AA-C-291F**





HIGH BACK FOLDING CHAIRS • CHATEAU • FAN • LOUIS

Three flavors to choose from. Whether the classical lines of a CHATEAU or the intriguing design of a FAN or the contemporary style of a LOUIS, our high back folding chairs will better dominate the table setup, due to the 41" tall back design. Used with additional decorations or simply bare, they will bring class and event sophistication with the ease of handling of a folding chair. Furthermore, the high back provides exceptional back support when seated. Our high back chairs fold, stack (horizontally and vertically), and come equipped with an interlocking feature that makes moving and storing them quite simple. They are strong, durable, weatherproof, UV protected, don't need painting and require very little maintenance. Optically enhanced SUPER WHITE frame, with EXTREME UV protection for extended durability.



MATERIAL: composite multi-layer techno-polymer, stainless steel hardware. 1/4" snap in seat is a resin board, CAL 117 Foam and PVC cover.

WEIGHT: 10.5 lbs

DIMENSIONS:

Seat: 15 x 16 x 17 h [in.]
 Folded: 17 3/8 x 42 x 2 1/3 [in.]
 Stack of 25: 17 3/8 x 42 x 58 1/2 h [in.]

On all our high back chairs the LOAD rests on the two bars supporting the seat, NOT on the screws as on similar chairs. Static vertical weight testing FEDERAL SPECIFICATION AA-C-291F



Chiavari
by Drake

CHIAVARI stacking chair

Drake Chiavari stacking chairs have been re-engineered from the ground-up. The NEW MIX of techno-polymers they are made of, makes them exceptionally strong, sturdy, lightweight, easy to clean, maintain and transport. The forgiving nature of the back of our Chiavari chair gives it a comfort level unparalleled by wood. Our Chiavari are weatherproof, UV protected, don't need painting, with SAFER STACKING INTERLOCKING WITH A CLICK.

MATERIAL: composite multi-layer techno-polymer, fiberglass added, zinc hardware.

WEIGHT: 10 lbs

DIMENSIONS:

Seat: 16 x 16 x 18 h [in.]
 Stack of 7: 17 x 26 x 88 h [in.]
 Stack of 8: 17 x 27 x 96 h [in.]
 Stack of 10: 17 x 28 x 113 h [in.]



Our Chiavari can be accessorized with different cushions and vinyl pads and can be safely used OUTDOORS with a set of LAWN SHOES that prevents them from sinking into the grass or sand.

FOLDING CHAIR ACCESSORIES

Extra Chair Pads

1/4" pads are made of a resin board, CAL 117 1/4" thick foam and PVC cover. Available in white or black.

- snap in and snap out in a flash
- do not warp with humidity



Seat Boards

Good look, very low maintenance, a comfortable alternative to PVC upholstered seats, and lots of colors to choose from.

- no modification to the chair necessary
- pop out the old seat and snap in one of these colored seats
- available in white, black, green, red...
- change the seat to match the event theme
- special contoured shape for superior comfort
- can be left out in any weather condition without becoming soggy like the vinyl covered foam pads



Cordoncino by Drake

A Natural Beauty

- no modification to the chair necessary
 - pop out the old seat and mount the Cordoncino pad
- material: hand woven pure cellulose on a metal frame support.



Canna Di Fibra Naturale by Drake

- no modification to the chair necessary
 - pop out the old seat and SNAP IN one of the new fiber pads
- material: natural cane fiber on a resin board support with 1/4" foam (TB117 compliant)



Link Spacer (for High Back & Structure only)

When linking chairs together is mandatory for public seating, our solution is excellent:

- snap on, NO TOOLS required
- leaves 3" between linked chairs
- placeholder can be used to customize seating



CHIAVARI CHAIR ACCESSORIES

1 1/2" Rigid Chiavari Pad

Taylored resin rigid base, with soft vinyl leather-textured cover and a 1" urethane foam. The pad is positioned onto the chair with 4 velcro bullets to make it easy to remove, interchange or store separately. Standard colors: white and black. Indoor as well as outdoor use.



2" Custom Fit Chiavari Cushion

Shaped like the Chiavari seat for the perfect look, luxurious double piping. Washable polyester cover with a zipper. Filled with 1" urethane foam & fiber batting. Attaches to the chair back legs with velcro straps. Standard colors: white, ivory (natural) and black. Cushions usable on both sides.



1.5" Entry Level Chiavari Cushion

Classical semi-square Chiavari seat with double piping 15 1/4" x 15 3/4" x 1 1/2". Washable polyester cover with a zipper filled with 1.5" urethane foam. Attaches to the chair back legs with velcro straps. Standard colors: white, ivory (natural) and black. Cushions usable on both sides.



Pad & Cushion Bag for Storage and Transportation

Makes transportation easy while protecting and organizing for storage. Sewed-in rigid bottom, wide top opening for easy access and counting, reinforced handles. Suggested capacity 15 to 20 pads or cushions depending upon size.

Standard color: gray

Dimensions: 35" x 17" x 17"



Chiavari Shoes

Increase support for the chair legs on difficult ground, greatly reducing the sinking of the legs. Easy to deploy, snap on, no tools required, they do not interfere with the chairs ability to stack. Small holes in the supporting plate area, allow the lawn to breath, greatly minimizing any damage to it even with extended use of the chair on the grass.

One set includes 4 shoes for one chair.



CLASSIC CHAIRS STORAGE & TRANSPORTATION

DR Chair Pallet

Chair pallets help to protect the first chair of the stack during storage and transportation and make chair stack handling easier. 330 lb. of distributed load capacity. To be used with CHAIR TRUCKS or PALLET JACKS



Economy Stack Cover for Folding Chairs

Non-woven polyester material. Breathable fabric. 52" lateral slit with Velcro eases up positioning of the cover on the stack and a Velcro buckle for extra security. Bottom edge is hemmed for durability. Dim. 18" x 35 1/2" x 58" high



Chair Truck

Strong sturdy, a major help in handling chairs. Every task involving moving chairs will be easier. Truck width: 28"

- 4 pneumatic wheels/10" closed cell foam tires, ball bearing hubs
- powder coated steel frame
- expanded metal backguard & 54" aluminum fenders to protect load from rubbing on tires
- 34" long forks, 7/8" diameter, 14 3/4" apart, designed for heavy duty hauling
- MAX LOAD: 750 lbs.



ALTERNATIVES:

HQ Stack Cover for Folding Chair

Nylon, with inner PVC coat. Heavy duty water resistant chair stack cover, for transportation and storage. Tailored for a 25 folding chair stack. Lateral slit with Velcro eases up positioning of the cover on the stack. Dim. 17 1/2" x 35" x 58" high



Super Economy \$aver

Bundle of 50 Cardboard Trays 17 1/2" x 35 1/2"
Roll of 50 bag covers 40x20x72x0.015mil

RG Chair Pallet & Dolly

Chair tray + 4 pallet feet (pallet jack)
Chair tray + 4 2.5" swivel casters (casters NOT included)



Chair Handtruck

Our single axle chair handtruck is a good and cheaper alternative to a chair truck.

- Specifications:
- 2 pneumatic wheels/10"
 - folding forks



HIGH BACK CHAIRS STORAGE & TRANSPORTATION

DE Elongated Chair Pallet

Chair pallets help to protect the first chair of the stack during storage and transportation and make chair stack handling easier. 330 lb. of distributed load capacity. To be used with CHAIR TRUCKS



Economy Stack Cover for High Back Folding

Non-woven polyester material. Breathable fabric. 52" lateral slit with Velcro eases up positioning of the cover on the stack and a Velcro buckle for extra security. Bottom edge is hemmed for durability. Dim. 18" x 42" x 58" high



Chair Truck

Strong sturdy, a major help in handling chairs. Every task involving moving chairs will be easier. Truck width: 28"

- 4 pneumatic wheels/10" closed cell foam tires, ball bearing hubs
- powder coated steel frame
- expanded metal backguard & 54" aluminum fenders to protect load from rubbing on tires
- 34" long forks, 7/8" diameter, 14 3/4" apart, designed for heavy duty hauling
- MAX LOAD: 750 lbs.



ALTERNATIVES:

Chair Cart

Our high back chairs are traditionally used in Hotels and Banquet Halls where moving them through elevators and narrow corridors might be a challenge and the use of efficient but bulky Chair Trucks is difficult. That is why we came up with a solution, adapting our famous custom made HDPE thermoformed chair pallet to a sturdy welded steel frame with an easy to pull handlebar.

- Max Suggested load: 30 chairs
- 2 regular and 2 swivel 4" casters (Polyurethane on Polyolefin)
- Net Weight: 30 lbs.



CHIAVARI CHAIRS STORAGE & TRANSPORTATION

DR Chair Pallet

Chair pallets help to protect the first chair of the stack during storage and transportation and make chair stack handling easier. 330 lb. of distributed load capacity. To be used with CHAIR TRUCKS or PALLET JACKS



Chiavari Shoes

Our Chiavari shoes can be screwed onto a wood pallet and used to secure the first chair of the stack for easier and secure transportation, preventing the chairs from sliding.





Frame Features:

- 100% gray or cream reinforced techno-polymer
- durable & safe 1 piece construction
- limited lifetime frame warranty
- 250 lb. Weight Limit

Seat Features:

- molded polypropylene seat
- open back for ventilation and strength
- ergonomic front promotes good circulation in legs
- attached with four stainless steel screws
- several color options available
- 5 year seat warranty.

Glide Features:

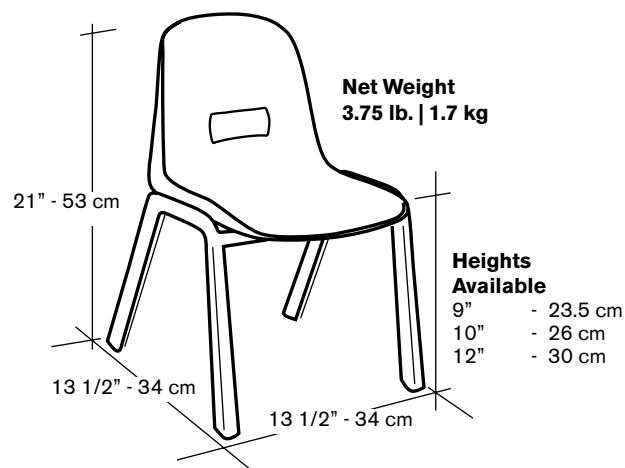
- standard gray color matching the legs, OR seat color matching optional for an upcharge - 12" models only
- secured with a screw to the leg, so they will not detach becoming a choking hazard.
- 2 year wearing parts warranty

D130 a rainbow of kids chairs!!!

D130 with its 12" seat height and its advanced posture design, is the most innovative piece of furniture for kindergarten, pre-school, nursery, party rentals and any environment where children's safety and comfort is a must. D130 is a durable stacking chair, featuring a secure easy stacking interlocking leg system for storing up to 15 chairs one on top of another. The construction, 100% resin made with stainless steel hardware, makes it an easy solution for both indoor & outdoor child's seating needs.

*****HEAVY DUTY*****

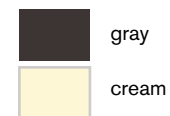
recommended for schools, kindergartens, party rentals.



Seat Colors Available:



Frames Colors:



Custom colors available upon request, subject to minimum quantity.

DSN Kid TABLES

Four Plastic legs screw into the easy to maintain, **30"x32"** composite resin table top.

No tools required

Our composite polymer rectangular linking table top is available in beige, dark gray & white:

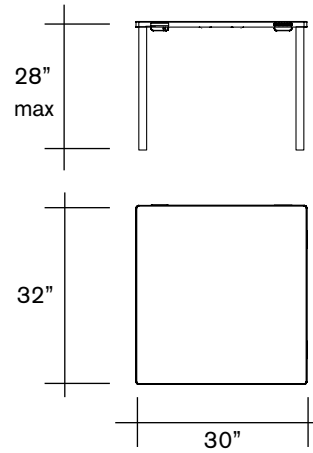
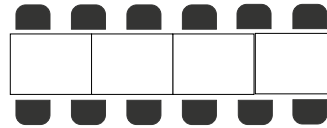


Made in USA



...very modular

tongue and groove style slides in and out of the table top & lets users add as many tables as needed to the layout... while keeping the table tops level. Modules can be added in different directions to compose straight lines, corners, T-shapes etc.



DSN table
by Drake

D130 Series TABLE LEG SYSTEMS

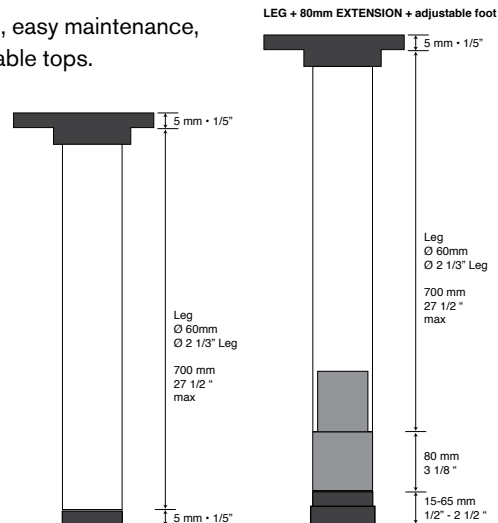
D130 Series Leg Concept is an extremely versatile, easy maintenance, easy to assemble and disassemble system for kids table tops.

Standard Leg

- resin plate
- Ø 2 1/3" resin tubular leg (Max Length 27 1/2")
- resin end cap
- Max. table height: 28"

Optional

- 3 1/8" leg extension
- 1/2" - 2 1/2" adjustable end cap



Made in Italy

Leg Colors Available:





“Dolce Stil Novo”
modular *linking*
banquet
table systems
...life is sweet!

Drake is proud to introduce “**Dolce Stil Novo**” the most revolutionary vision of an easy to handle, store and deploy portable banquet table system, aimed to replace folding tables of different lengths, adding bar tables & stools to the mix as well.

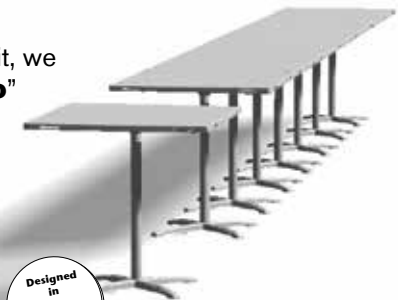
The world of banquet tables will never be the same...

Dolce Stil Novo (Italian for “*sweet new style*”) is the name given to the most important literary movement of the 13th century in Italy. It marked a true revolution in dignifying the use of Tuscan vernacular in exquisite literary works making them accessible to the masses. Before the *Dolce Stil Novo*, all literature and higher education was in Latin. Latin, an exclusive privilege of the upper class, was no longer understood by ordinary people.

With the same revolutionary spirit, we introduce the “**Dolce Stil Novo**” **MODULAR LINKING** table system which will make the storage, transportation and set up of banquet tables super easy, accessible and manageable for all.

With such an advanced modularity, inventory morphs and adapts becoming what is needed, whenever is needed.

NO MORE inventories of bulky multiple sized & heavy to move tables. With our system... **one size fits all...**



by R&D Why Not Plastic, Inc.





“Dolce Stil Novo”

light duty easy to deploy and set up modular *LINKING*

rental & catering tables

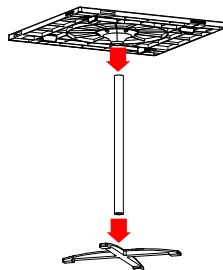


Easy to deploy

- a massive chrome steel column, 27 1/4" long, slides into the 28" steel table base.
- a strong, easy to maintain, 30"x32" composite resin table top snaps into the column.

No tools required

Our composite polymer rectangular linking table top is available in beige, dark gray & white:



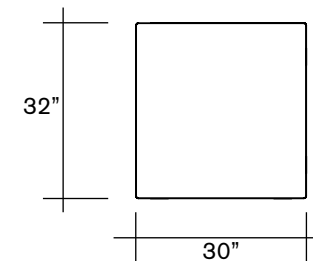
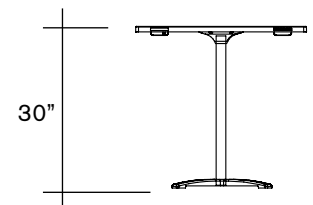
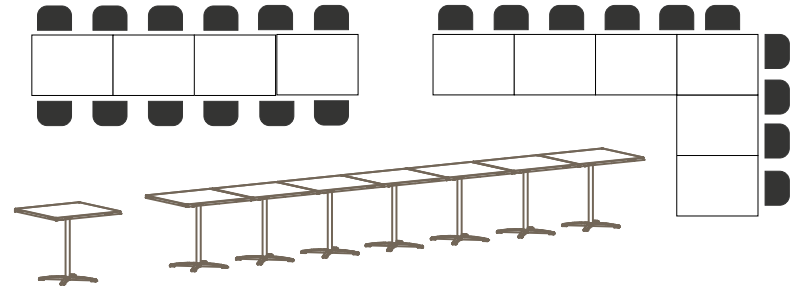
...very modular

tongue and groove style slides in and out of the table top & lets users add as many tables as needed to the banquet layout... while keeping the table tops level.



...simply add more...

Modules can be added in different directions to compose straight lines, corners, T-shapes etc.



SMART INVENTORY storage & transportation

Sturdy carts in different sizes store table tops, columns and bases in a **COM-PACT**, easy to move unit keeping all parts secure.



“Dolce Stil Novo”

light duty easy to deploy and set up modular *LINKING*

table & bar table
conference style



Easy to deploy

- a massive chrome steel column, 27 1/4" long (regular table) or 38 1/4" long (42"h bar table), slides into the 24" **trumpet style chrome** steel base.
- a strong, easy to maintain, **30"x32"** composite resin table top snaps into the column.

No tools required

Our composite polymer rectangular linking table top is available in beige, dark gray, white:



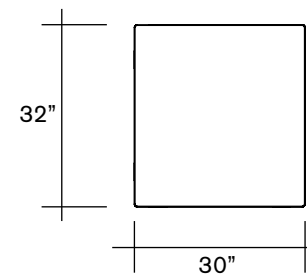
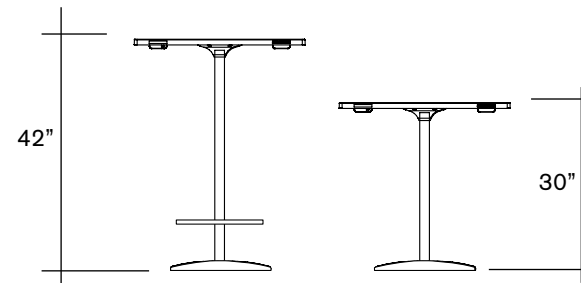
...very modular

tongue and groove style slides in and out of the table top & lets users add as many tables as needed to the table layout... while keeping the table tops level.



storage & transportation

Sturdy carts in different sizes store table tops, columns and bases in a **COMPACT**, easy to move unit keeping all parts secure.



trade shows, conventions
& conference centers

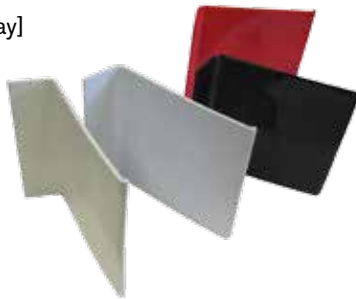


Elle

Elle is built with the same components used in our portable modular banquet table system, providing a perfect matching stool that's readily available.

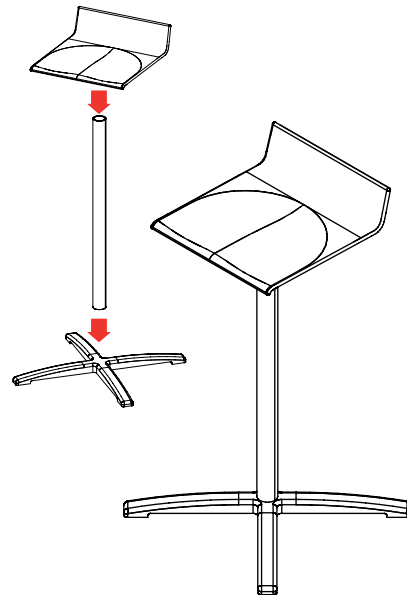
The composite multi-layer techno-polymer seat is available in 4 colors:

- W [White]
- G [Light Gray]
- R [Red]
- B [Black]



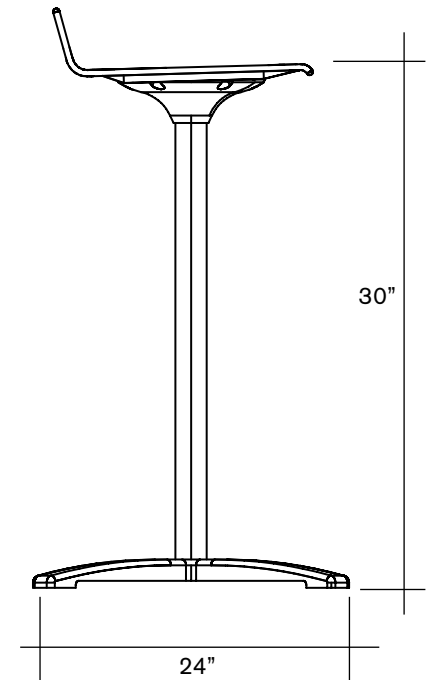
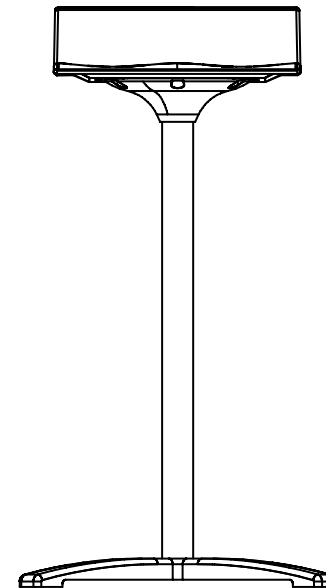
Chrome metal leg,

24" steel spider base or
20" chrome trumpet base (footrest is optional)



modular Elle bar stools

...life is sweet!

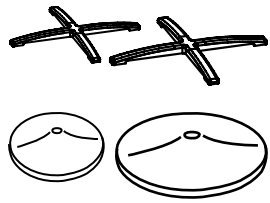


Assembly

Assembly is extremely easy, the massive chrome steel column, slides into the stool base. The seat has a mounting plate that engages into the column.

No tools required.

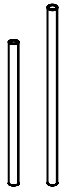
STANDARD COMPONENTS



Steel Base 28" (rectangular and 28" round tables)
Steel Base 24" (stools and 24" round tables)
Trumpet Chrome Base 24" (rectangular and 28" round tables)
Trumpet Chrome Base 20" (stools and 24" round tables)



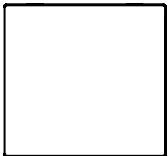
Footrest Chrome Ring 20" (stools and bar tables)



Chrome Column L 27 1/4" (tables and stools)
Chrome Column L 38 1/4" (bar tables 42"h)



Aluminum mounting cup (all tables and stools)



Composite polymer rectangular linking table top 30"x32"



Composite polymer Elle stool seat

COMING SOON:

Composite polymer 24" round table top
Composite polymer 28" round table top

modular tables & bar stools

...component list



Drake



DRAKE CORP.

110 Tices Lane, Unit# A7
East Brunswick, NJ 08816, USA
tel +1 732 254 1530
fax +1 732 254 3509
email contactUS@drakecorp.com



In Europe:

CENTRO ERRE SRL

Via Trivulzio, 3
20146 Milano (MI) • Italy
Tel. +39 02 437 946
Fax +39 02 4570 3076
e-mail: info@centroerre.com