

CENTRO ERRE SRL • Via Trivulzio, 3 Milano MI 20146 Italy • Fax +39 02 45703076 • P.IVA/CF 04997260155 • email: info@centroerre.com



Chip



DRAKE CORP.

Chip FOLDING & STACKING CHAIR

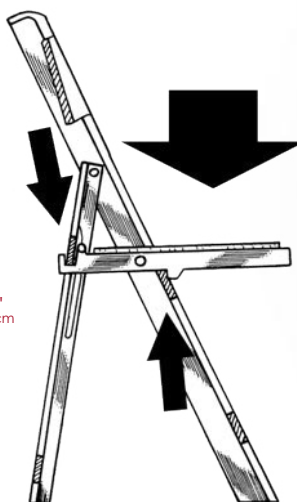
Most similar to the traditional wood folding chairs, our CHIP chairs are folding, stacking (horizontally and vertically), and come equipped with an interlocking feature that makes moving and storing them quite simple. They are strong, durable, weatherproof, UV protected, don't need painting and require very little maintenance.

EXTRA STRONG & LONG LASTING

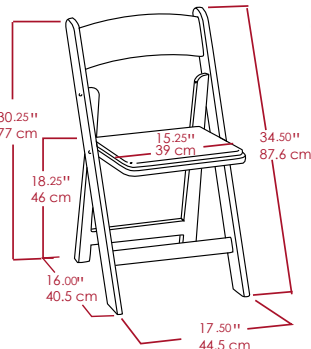
CHIP chairs are made of a dual density technopolymer plus GAS system. The result is another incredible, exceptionally strong, and good looking chair for the Special Event Market.

SMART DESIGN

The LOAD rests on the two bars supporting the seat, NOT on the screws as on similar chairs. All of our folding chairs must comply with a 500lb. of static vertical weight standard. FEDERAL SPECIFICATION AA-C-291F



07.09



Chip SEDIA PIEGHEVOLE ED IMPILABILE

Chip ACCESSORIES

ITEM# 1CHP-W Chip White

ITEM# 1CHPFG-B Chip Black

ITEM# 1CHPFG-G Chip Dark Green

ITEM# 1CHPFG-LB Chip Brown

Black, Dark Green & Brown Chip chairs have a standard black seat.

Chair dimensions when folded:
17 3/8" x 35" x 2 1/3" [inches]
45 x 89 x 6 [cm]

PATENTED STACKING SYSTEM WITH INTERLOCKING

PACKAGING

Our Chip chairs, come in a box of 5.

Box Weight: [52 lb.] [23.5kg]

Box Dim.:
18" x 36" x 13" [inches]
46 x 91.5 x 33 [cm]



EXTRA CHAIR PADS

Snap In-Snap Out
1/4" flexible padded resin seats, available in White or Black vinyl.



CHAIR PALLETS

Highly resistant chair pallet made of 3/32" thermoformed tech ABS. Capacity of 30 chairs or 300 lbs. of distributed load. It can be used with pallet jacks and chair hand trucks. Protects the first chair of the stack.



STACK COVERS

Water resistant nylon cover with PVC inner liner and strap protects the stack during transportation and warehousing. Tailored for a 25 chair stack.



CHAIR HAND TRUCK

Strong and sturdy helper for moving stacks of chairs.

- 4 pneumatic wheels/10"
- Expanded metal backguard
- Aluminum fenders protect load from tires
- MAX LOAD: 500LBS.



Made
in
USA

DISTRIBUTED BY: